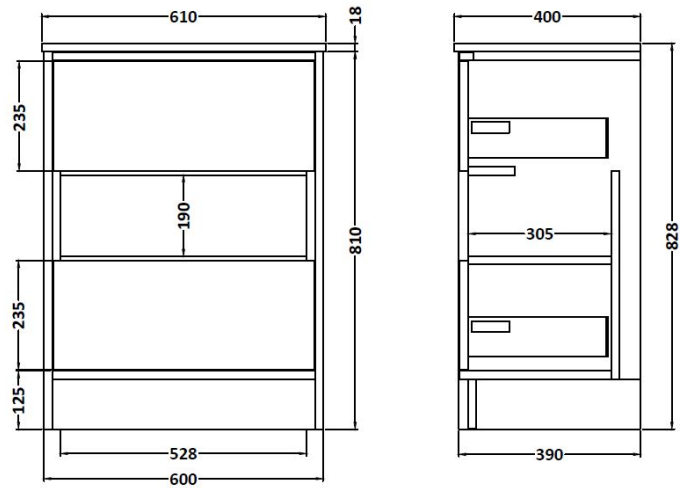


## CUSTOMER DATA SHEET

**SALES CODE:** CST976

**DESCRIPTION:** Coast Fs 600mm Basin Unit - Option 2



### PACKAGING DETAILS

No of Packs

2

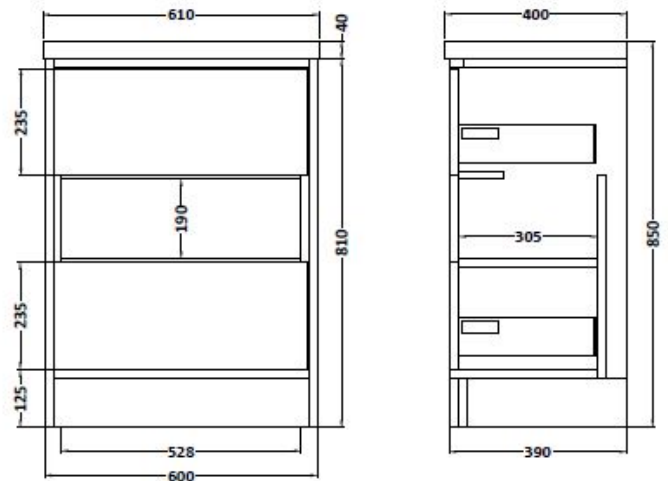
Barcode

5055275868348

## CUSTOMER DATA SHEET - FURNITURE

SALES CODE: FMC976

DESCRIPTION: 600mm F/S 2 Dwr Van Central Open Shelf



### PRODUCT DIMENSIONS

Height (mm)	Width (mm)	Depth (mm)	Nett Wgt Kg
810	600	390	28

### PACKAGING DIMENSIONS

Height (mm)	Width (mm)	Length (mm)	Gross Wgt Kg
400	630	860	28

### PACKAGING DATA

Box Colour	Brown Cardboard Box		
Box Qty	1	Label Colour	White Label
Label Size	100 x 50	Label Qty	2

### OUTER BOX DIMENSIONS (If Applicable)

Height (mm)	Width (mm)	Depth (mm)	Gross Wgt Kg
Barcode	5055369097012		

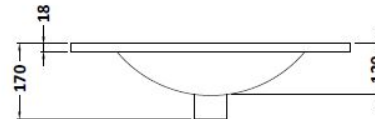
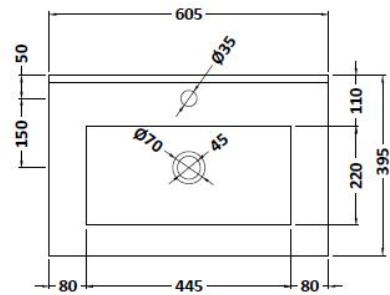
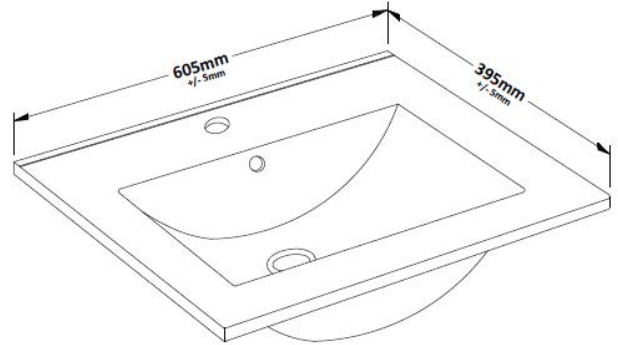
### PRODUCT DETAILS

Country of Origin	Ireland			
Fitting Instruction	No			
Constr' Method	Glue & Dowelled			
Cabinet Finish	MFC Gloss			
Cab Thickness (mm)	18			
Drawer Included	Yes			
No of Shelves	0			
Hinge Inc'	No			
Fixings Inc'	Yes			
Handle Inc'	No, Not Required			
Handle Type	Handleless			
Certification	FSC	Yes	CE	N/A
Colour	White Gloss/Coco Bolo			
Constr' Type	Rigid			
Fascia Finish	Mdf Vinyl Gloss			
Fas Thickness (mm)	18			
Drawer Type	Blum Tip-On (Push To Open)			
Hinge Type	Not Applicable			
Adjustable Legs	Yes, Supplied			
Handle Style	Not Applicable			
Waste Shroud	Yes			

## CUSTOMER DATA SHEET - CERAMICS

SALES CODE: NVM003

DESCRIPTION: Minimalist Basin 600mm



### PRODUCT DIMENSIONS

Height (mm)	Width (mm)	Depth (mm)	Nett Wgt Kg
170	600	390	10.76

### PACKAGING DIMENSIONS

Height (mm)	Width (mm)	Depth (mm)	Gross Wgt Kg
200	400	620	10.76

### PACKAGING DATA

Box Colour	Brown Cardboard Box - Printed		
Box Qty	1	Label Colour	White Label
Label Size	100 x 50	Label Qty	2

### OUTER BOX DIMENSIONS (If Applicable)

Height (mm)	Width (mm)	Depth (mm)	Gross Wgt Kg
Barcode	5055146199878		

### PRODUCT DETAILS

Country of Origin	China
Fitting Instruction	No

Certification	CE	No	WRAS	N/A	WRAS Number	N/A
Product Material	Vitreous China					

### PANS/BIDETS

Trap Style	Not Relevant	Includes Seat	N/A
------------	--------------	---------------	-----

### CISTERNS

Fittings	Not Applicable	Operating Type	Not Applicable
Lever Type	Not Applicable		

### SEAT

Type	Not Applicable	Function	Not Applicable
Material	Not Applicable		
Hinge Type	Not Applicable	Hinge Material	Not Applicable

### BASINS

Tap Hole	One Taphole	Chain Stay Hole	No
Template	Not Required	Waste Type Req'd	Slotted
Overflow Incl.	Yes	Overflow Cover	Yes
Inner Bowl Depth	220mm		

### GENERAL

Fixing Supplied	No
-----------------	----