

# Sliding Door

## ASSEMBLY GUIDE

### IMPORTANT

- 1.. The cubicle can be constructed either way up, for left or right hand opening.
- 2.. These instruction and list of parts assume that installation is done against solid or tiled walls. Hollow or "Stud - partition" walls will require alternate fixings. Please consult a hardware supplier for the correct type. It may also be necessary to consult your tiling supplier about the correct method for drilling your tiles.
- 3.. Please check this product for damage prior to starting the installation. No claims can be made after the products has been fitted, or after fitting has commenced.
- 4.. This is a 2 person installation.
- 5.. Please note the minimum and maximum adjustment for this product are based on perfectly plumb walls.

### Tools Required *Please note hand tools **NOT** supplied.*



Drill



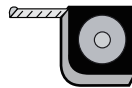
7mm Masonry Drill  
3.2mm HSS Drill



Spirit Level



Pencil



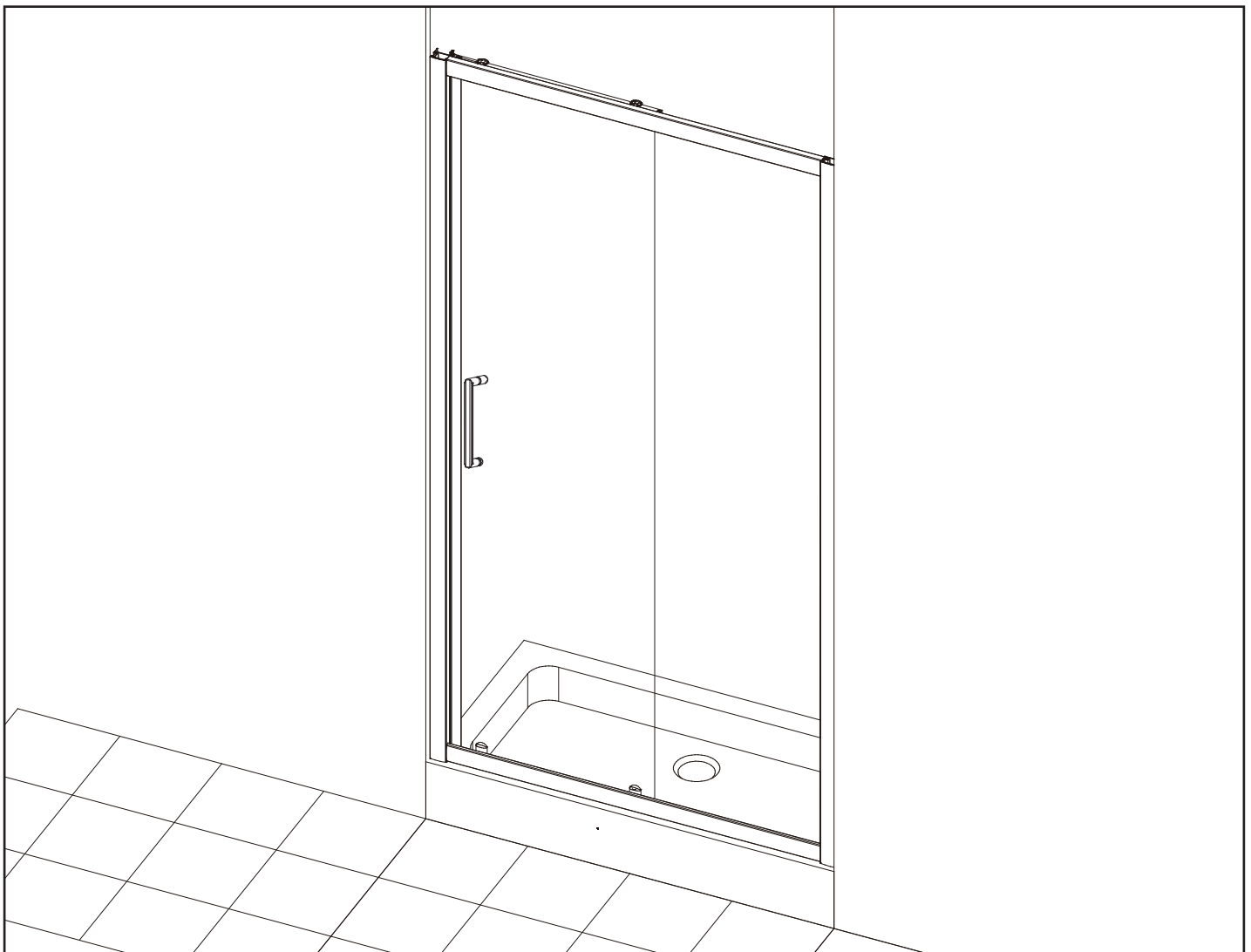
Tape Measure



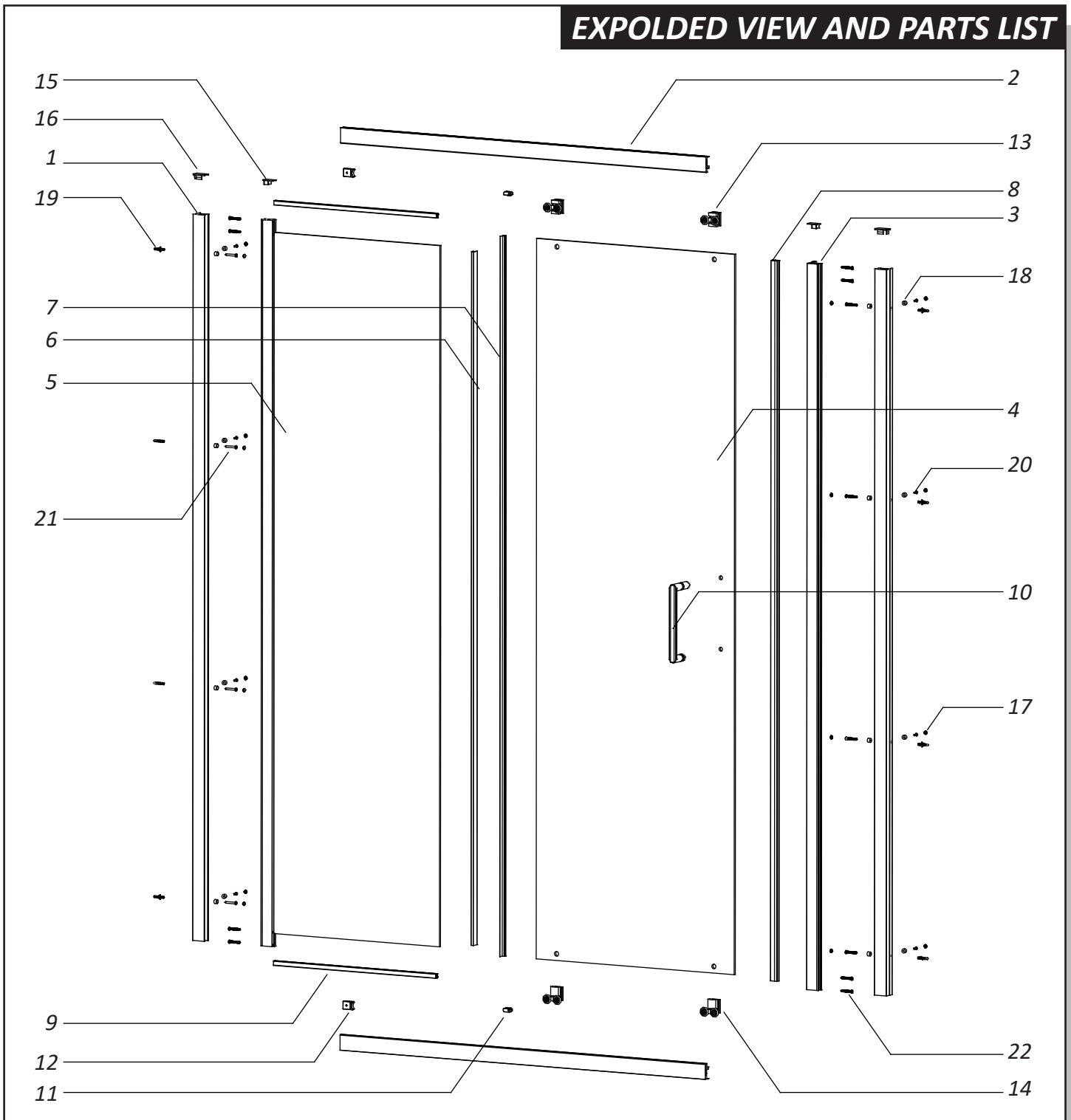
PH2 TYPE  
Screwdriver



Sealant Gun



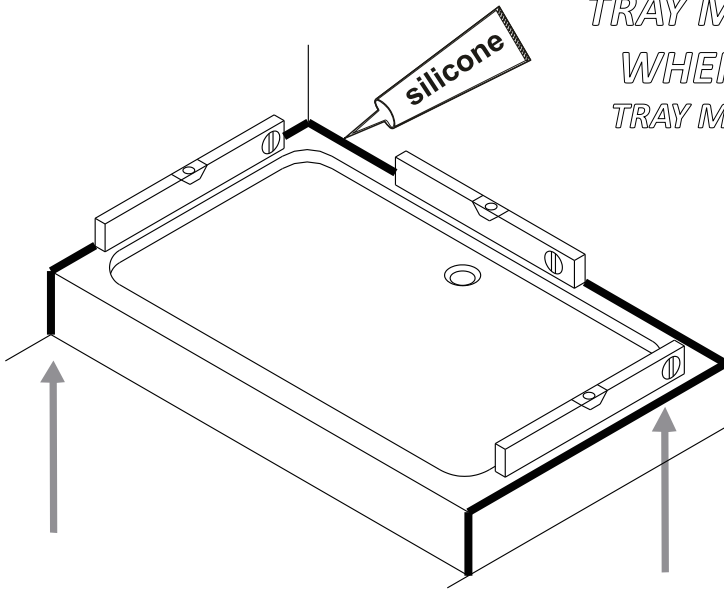
# EXPLODED VIEW AND PARTS LIST



## Part List

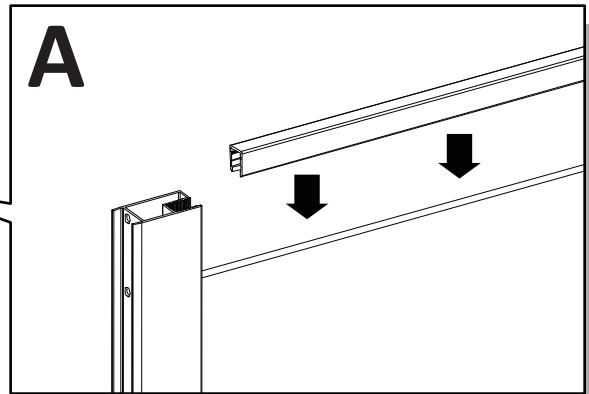
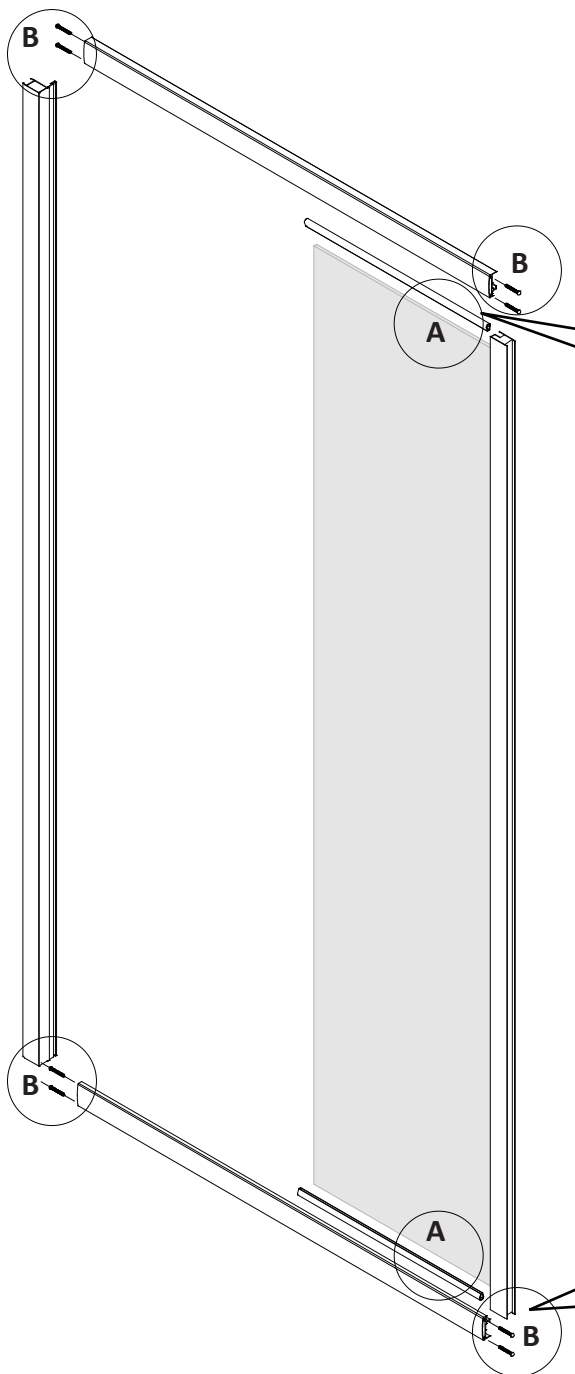
SN	CODE	Description	Qty	Image	SN	CODE	Description	Qty	Image
1	ALU8654	Wall channel	2		12	S1PS22	Roller Stopper	2	
2	ALU8656	Horizontal profile	2			SBLTL002	ST3.5*8 Screw	2	
3	ALU8657	Magnetic profile	1		13	S1HW64	Top Runner	2	
4	N/M	Door Panel	1		14	S1HW65	Bottom Runner	2	
5	N/M	Fixed Panel	1		15	S1PS04	Wall channel Cap - LH/RH	2	
6	304B-5-10	Upright Seal	1		16	S1PS05	Upright Profile Cap	2	
7	304B-6-10	Upright Seal	1		17	S1PS07	Screw Cup	16	
8	308GB-6	Magnet Strip	1		18	S1PS08	Screw Cap	16	
9	303A	U Shape Gasket	2		19	SBLTL001	Wall Plug	8	
10	S1HW27	182 Handle	1		20	SBLTL003	ST3.5x12 Tapping Screw	8	
11	S1PS03-L/R	Glass Clip	2		21	SBLTL013	ST4.0x30 Tapping Screw	8	
	SBLTL002	ST3.5*8 Screw	2		22	SBLTL014	ST4.0x45 Tapping Screw	8	

*TRAY MUST BE SEALED FULLY AROUND  
WHERE THE TRAY MEETS THE WALL  
TRAY MUST BE 100% LEVEL IN ALL DIRECTIONS*



**TRAY MUST BE 100% LEVEL IN ALL DIRECTIONS  
TRAY MUST BE SEALED FULLY AROUND WHERE  
THE TRAY MEETS THE WALL**

*Ensure the shower tray is level in all directions and is properly sealed to the wall. The wall must be tiled down to the top edge of the tray. Do not angle out bottom tile.*

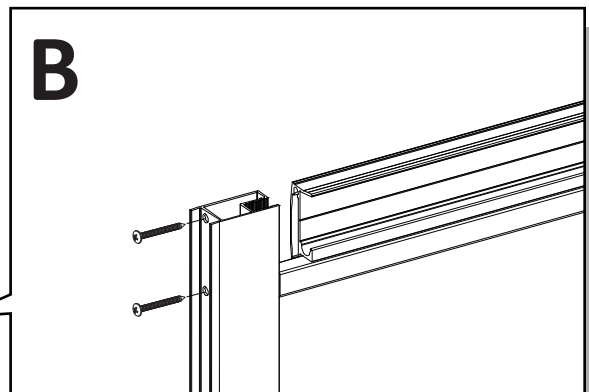


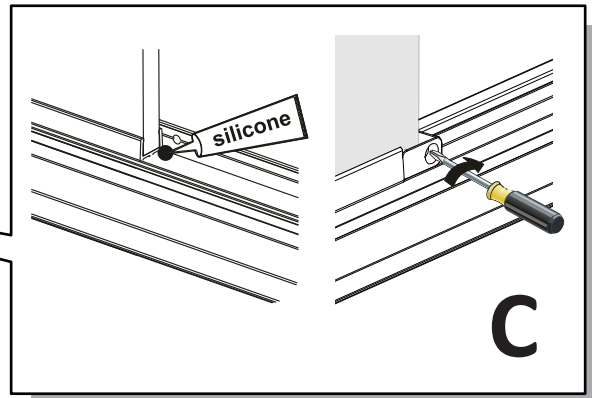
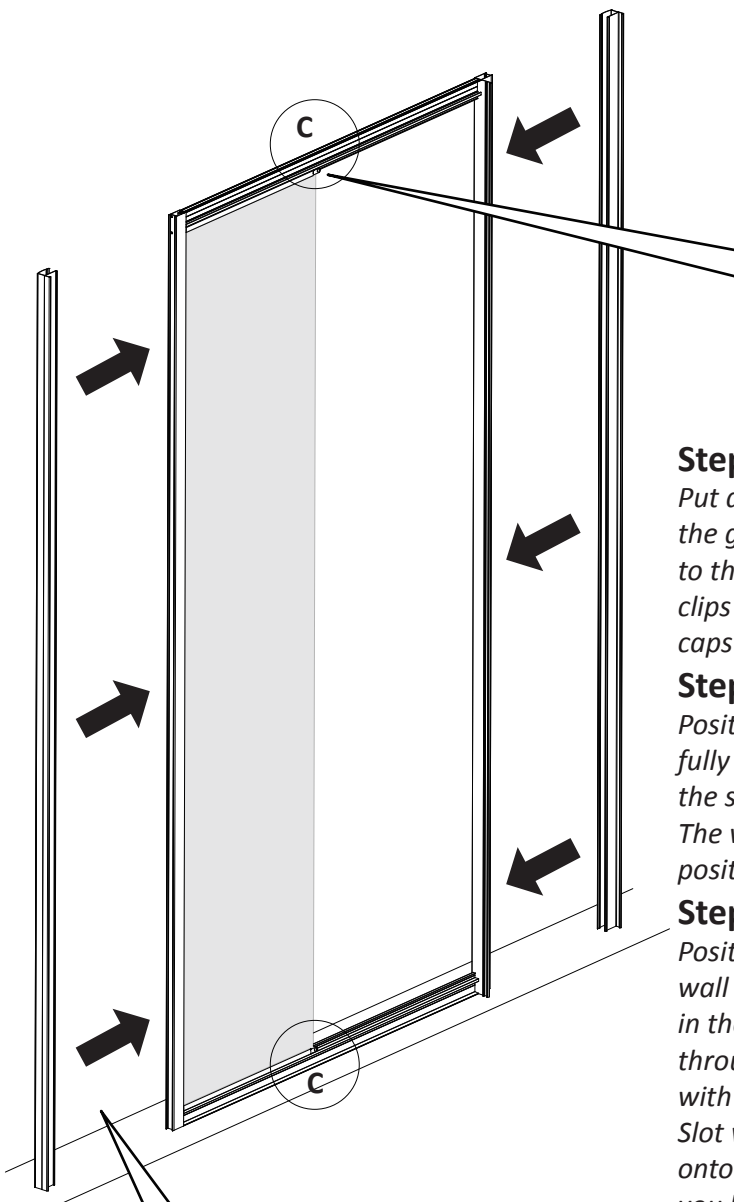
**Step A**

*Insert the gasket **303A** on the top and bottom of the fixed panel.*

**Step B**

*Fixed the top and bottom profile **LR8656-S1T & LR8656-S1B** with fixed panel and magnetic profile **LR8657S1** Using screw **S1SW01**.*





**Step C**

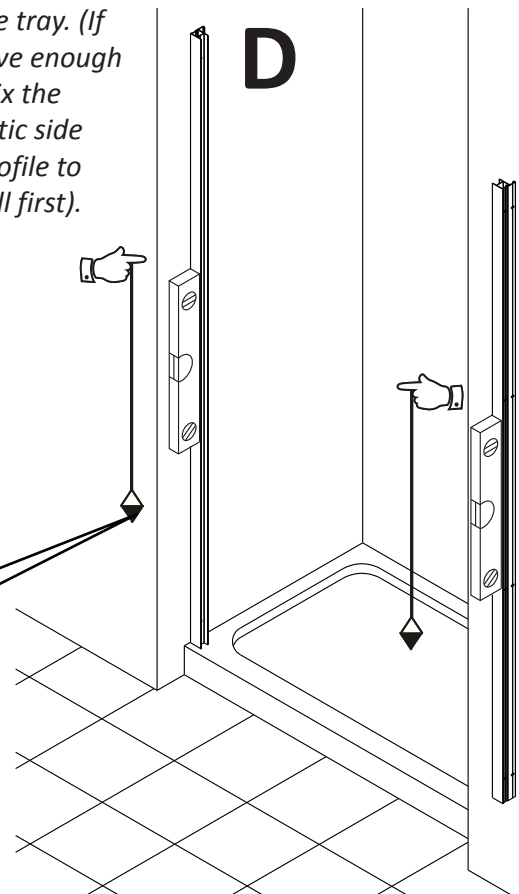
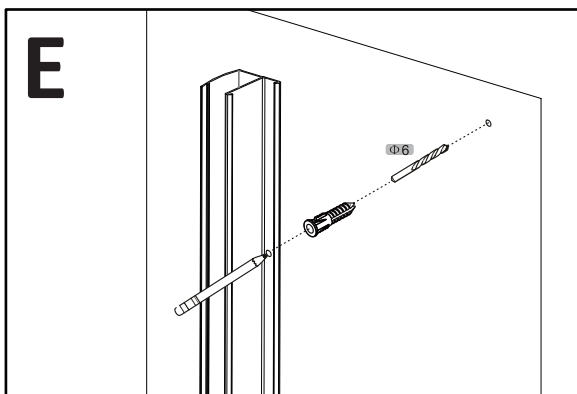
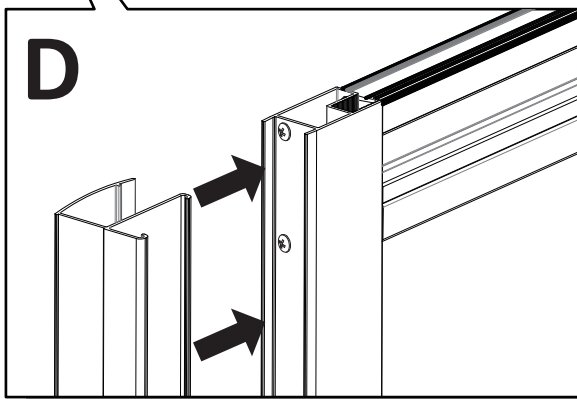
Put a small amount of silicone in the corner between the glass and the profile where the glass clips are fixed to the top and bottom profile. Then tighten the glass clips with screws as Fig.C shown, and put the glass clip caps on.

**Step D**

Position the assembled door frame (with wall profile fully pushed into frame) onto the tray and decide on the step in from the edge of the tray to wall profiles. The wall profiles can be adjusted until the door is positioned correctly on the tray.

**Step E**

Position the wall profiles back on the tray ensuring the wall profiles are plumb, mark the position of the holes in the wall. Do this by marking the wall with a pencil through the pre-drilled holes in the wall channel. Drill with 6mm masonry drill bit and insert wall plug **S1PS12**. Slot wall profiles into the door frame, then lift door onto the tray. (If you have enough room fix the magnetic side wall profile to the wall first).



## Step F

Fix the wall channel with screw cover cup **S1PS07** and screw **ST4x30 SBLTL013** to wall.

## Step G

Install the top and bottom rollers **S1HW64 / S1HW65** to the top and bottom holes of the moving panel. See G.1 Slot rollers into the top profile and then clip in the bottom rollers as shown in G.3, G.4 and G.5.

## Step H

Drill 4 equally spaced holes with 4mm drill bit through the wall profile and frame. Fix the frame to the wall profile with screw cup **S1PS07** and screw **ST3.5x12 SBLTL003**. Then put the screw cap **S1PS08** on.

## Step I

Attach the magnetic strip **308GB-6** to the front of the moving panels. Adjust the magnetic strip to ensure there is no gaps when the door is closed.

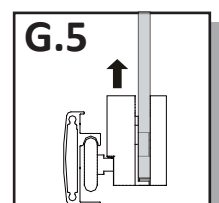
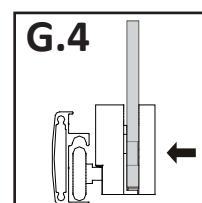
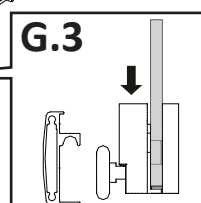
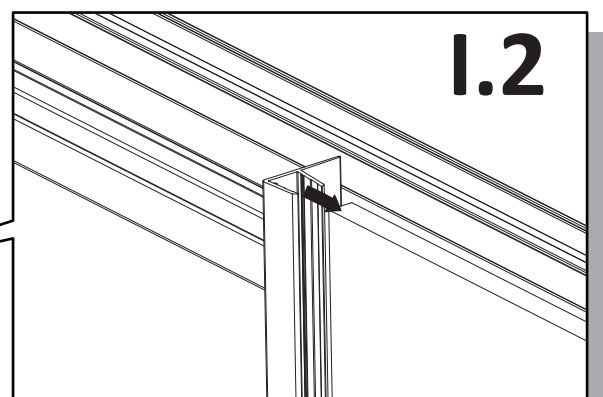
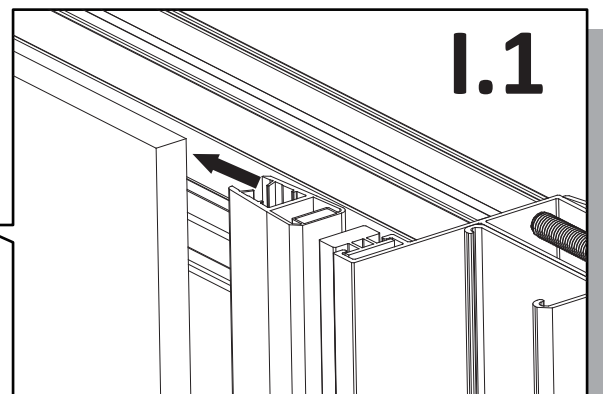
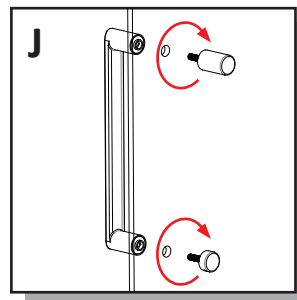
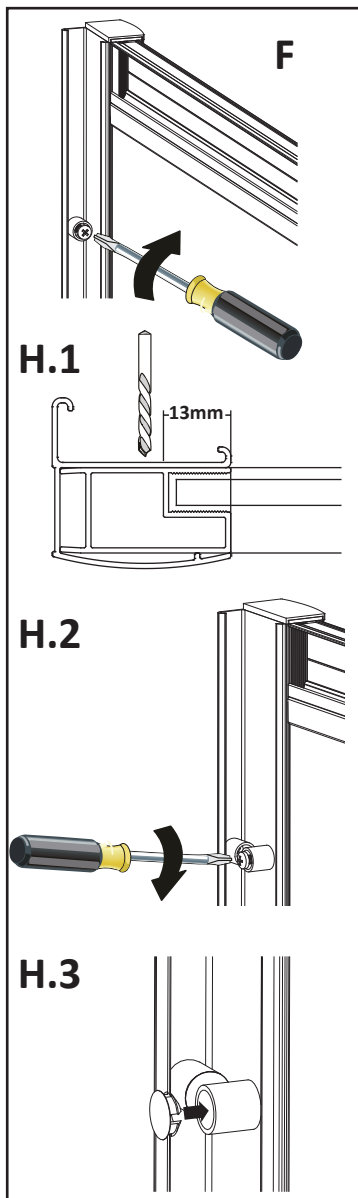
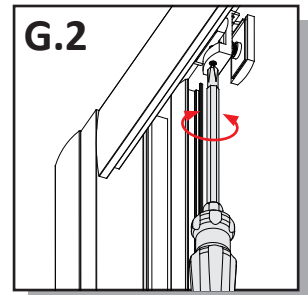
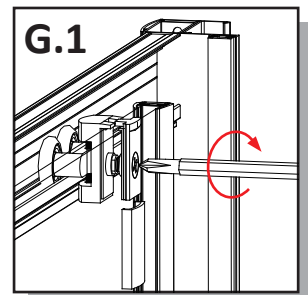
Attach the Fixed panel vertical seal **304B-5-10** to the fixed panel.

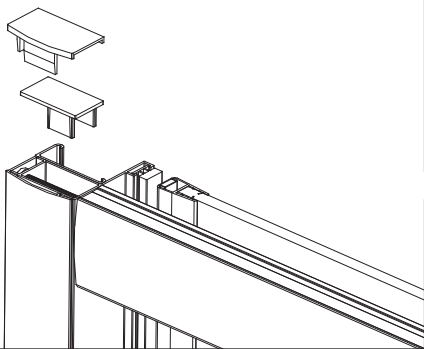
Attach the Moving panel vertical seal **304B-6-10** to the end of moving panel.

## Step J

Assemble the handle **S1WH27** onto moving panel.

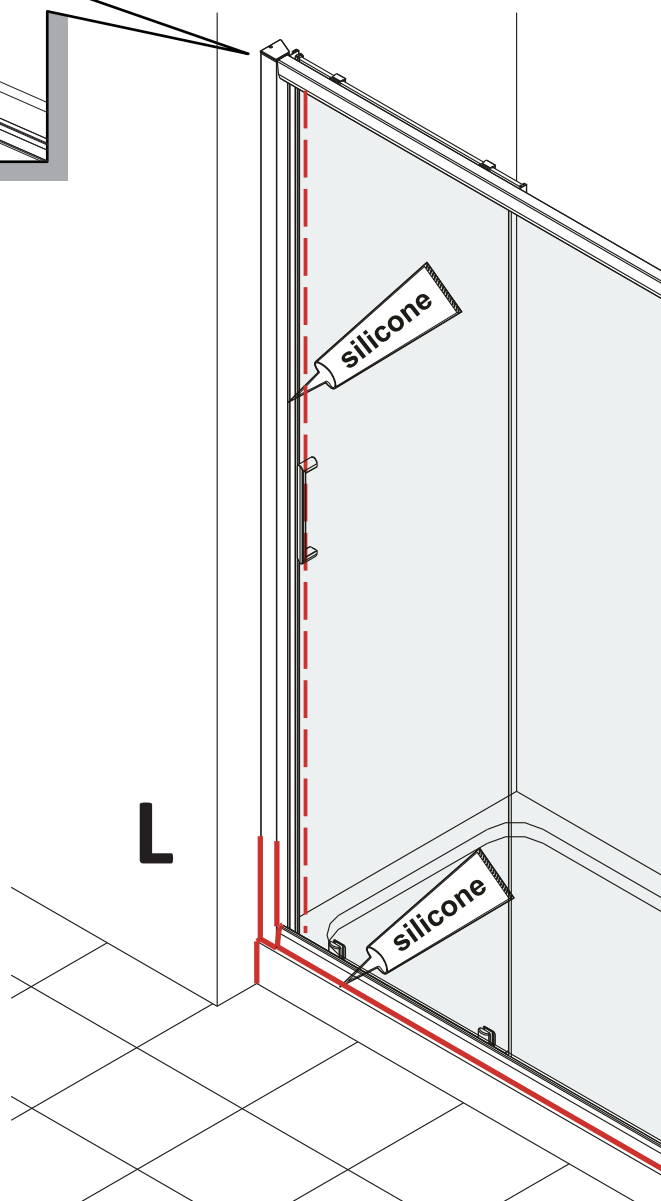
**Note:** To ensure the correct rolling action and the door closes on the profile evenly, adjust the roller by adjusting the screw clockwise or anticlockwise as shown in G.2



**K**

## Step K

Put the upright profile cap S1PS05 and wall channel cap S1PS04L/R on.

**24 HRS**

**DO NOT USE THE ENCLOSURE FOR 24 HOURS AFTER SEALING**



### Step L

#### Applying Silicone Sealant And Cleaning

Seal from the top of the wall channel to the bottom on the **INSIDE** and **Outside** between the wall channel and the wall, and between the bottom profile and shower tray as shown. Wash down with clean warm water and a soft clean cloth or sponge. Please do not use bleach, alkaline or acid-based, aggressive or abrasive cleaning products.