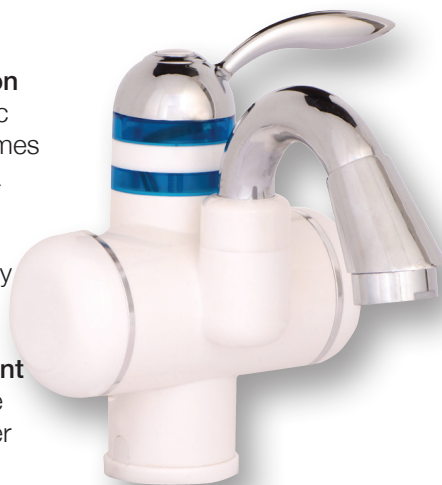


Plug in application
The Instant Electric Hot Water Tap comes as standard with a 13 Amp moulded plug and 1 metre cable allowing easy installation.

Direct replacement
Suitable to replace most existing mixer taps.

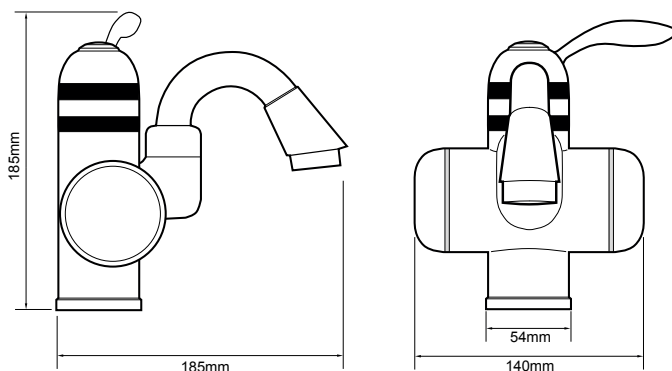


Specification

Redring Instant Electric Hot Water Tap (White)

Catalogue No.:	43679001
Short Code:	TAP1
Voltage:	240 - 230V
Power:	2.5kW
Operating pressure:	0.2 to 6 bar
Water inlet connection:	3/4" BSP
Maximum Temperature:	50 degree C
Installation depth:	Minimum 3mm Maximum 48mm

Dimensions



Instant electric hot water tap

- **Contemporary and stylish design.** White with chrome and stylish blue accents to coordinate with all decor.
- **Lever control.** Ergonomic design allows easy operation for all users
- **Ideal for hand washing.** Maintains a safe and comfortable water temperature, with a thermal cut out adding an extra level of protection.
- **Swivel spout.** Can be moved left or right to the desired position to dispense the water
- Removable spout head which can be descaled
- **Water saving Flow limiter.** Reduces the amount of water used



Why Choose Redring?

- 45 years of experience
- Excellent customer service
- Innovative products

Contact:

Redring Xpelair Group Ltd
Newcombe House
Newcombe Way
Orton Southgate
Peterborough PE2 6SE

General: 0844 372 7761
Sales: 0844 372 7750
Technical: 0844 372 7766
International: +44(0)1733 456789

R065

REDRING

www.redring.co.uk

Instant electric hot water tap



Mains cold water

Ideal for

- Bathrooms
- En-suites
- Utility rooms and other domestic uses...

REDRING



How it works



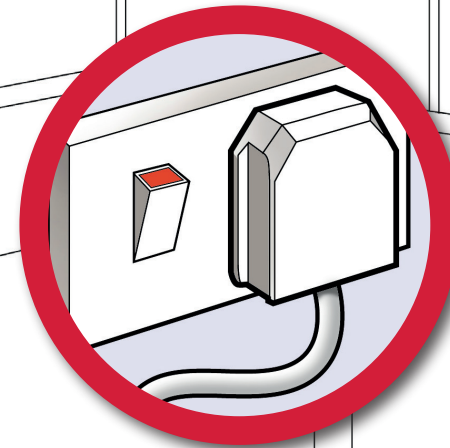
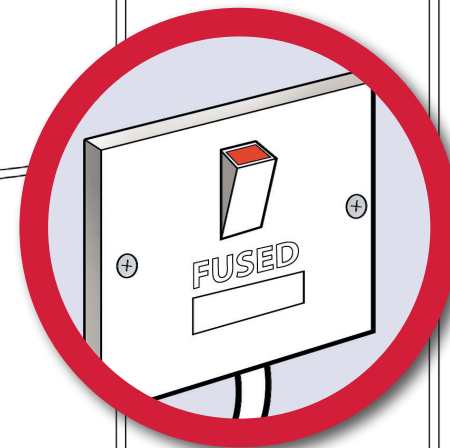
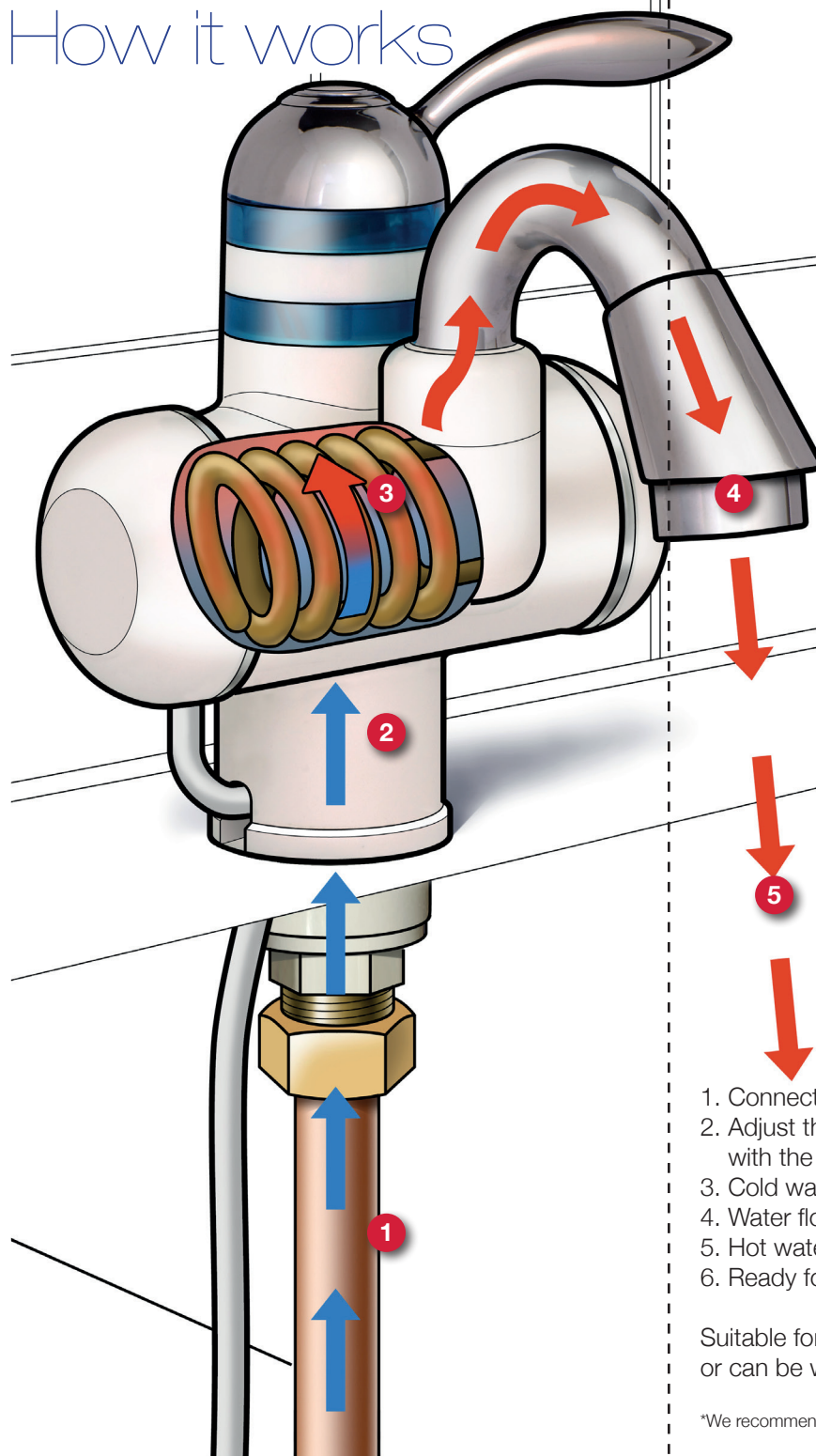
The Instant Electric Hot Water Tap is a direct replacement for standard mixer taps.



- NEW IDEAS
- Instant hot water
- Easy installation
- Simple and economical

Suitable for all cold water systems and for a variety of applications including renovations, refurbishments, under staircase WC and garage conversions. Hot water is delivered instantaneously at point of use with no requirement to store the water, minimising energy wastage and saving money.

- **Instant hot water** Designed for hand washing where a connection to a hot water feed is unavailable.
- **Easy to install** Designed with the installer in mind, the tap only requires a connection to a standard 3/4" BSP cold water supply and an electric feed, making it suitable for installation just about anywhere.
- **Simple and economical** Easy to operate, point of use electric tap only heats the water required for hand washing, saving energy and money.



1. Connect to a cold water feed
2. Adjust the desired temperature with the lever
3. Cold water flows..
4. Water flows
5. Hot water...
6. Ready for hand washing

Suitable for direct connection to a 13 Amp plug or can be wired into a fused spur*

*We recommend this is fitted by a qualified installer