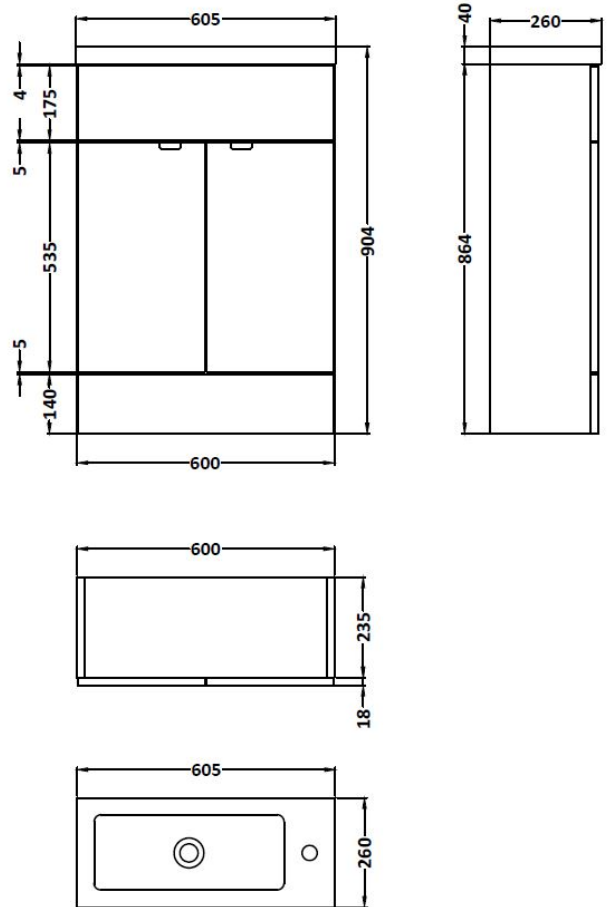


CUSTOMER DATA SHEET

SALES CODE: CBI906

DESCRIPTION: 600mm Compact Vanity Unit & Basin



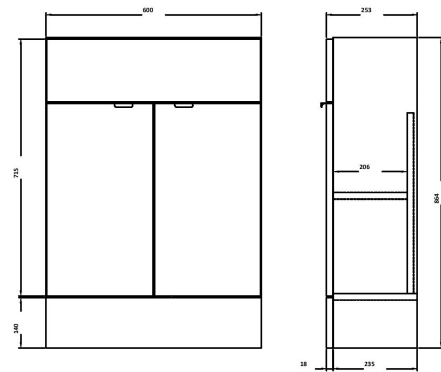
PACKAGING DETAILS

No of Packs	2
Barcode	5055275894309

CUSTOMER DATA SHEET - FURNITURE

SALES CODE: OFF907

DESCRIPTION: 600 Vanity Unit (255mm Deep)



PRODUCT DIMENSIONS

Height (mm)	Width (mm)	Depth (mm)	Nett Wgt Kg
864	600	255	17

PACKAGING DIMENSIONS

Height (mm)	Width (mm)	Length (mm)	Gross Wgt Kg
290	625	900	17

PACKAGING DATA

Box Colour	Brown Cardboard Box		
Box Qty	1	Label Colour	White Label
Label Size	100 x 50	Label Qty	2

OUTER BOX DIMENSIONS (If Applicable)

Height (mm)	Width (mm)	Depth (mm)	Gross Wgt Kg
Barcode	5055275873366		

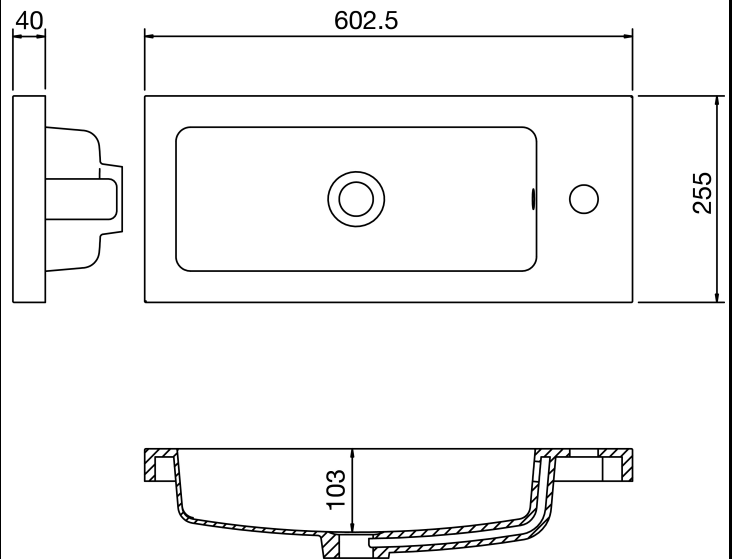
PRODUCT DETAILS

Country of Origin	United Kingdom			
Fitting Instruction	No			
Constr' Method	Cam & Wood Dowel			
Cabinet Finish	MFC Gloss			
Cab Thickness (mm)	18			
Drawer Included	No			
No of Shelves	1			
Hinge Inc'	Yes			
Fixings Inc'	Yes			
Handle Inc'	Yes			
Handle Type	Wrapover			
Certification	FSC	Yes	CE	N/A
Colour	Gloss Grey			
Constr' Type	Rigid			
Fascia Finish	MFC Gloss			
Fas Thickness (mm)	18			
Drawer Type	Not Applicable			
Hinge Type	95 Degree Clip-On Soft Close			
Adjustable Legs	No			
Handle Style	Contemporary			
Waste Shroud	No			

CUSTOMER DATA SHEET - CERAMICS

SALES CODE: PMB303

DESCRIPTION: 600 Side Tape Basin 1Th (602.5X255x40)



PRODUCT DIMENSIONS

Height (mm)	Width (mm)	Depth (mm)	Nett Wgt Kg
255	603	135	9

PACKAGING DIMENSIONS

Height (mm)	Width (mm)	Depth (mm)	Gross Wgt Kg
305	205	655	9

PACKAGING DATA

Box Colour	Brown Cardboard Box - Printed		
Box Qty	1	Label Colour	White Label
Label Size	100 x 50	Label Qty	2

OUTER BOX DIMENSIONS (If Applicable)

Height (mm)	Width (mm)	Depth (mm)	Gross Wgt Kg
Barcode		5055369063048	

PRODUCT DETAILS

Country of Origin	China
Fitting Instruction	No

Certification	CE	Yes	WRAS	N/A	WRAS Number	N/A
Product Material	Polymarble					

PANS/BIDETS

Trap Style	Not Relevant	Includes Seat	N/A
------------	--------------	---------------	-----

CISTERNS

Fittings	Not Applicable	Operating Type	Not Applicable
Lever Type	Not Applicable		

SEAT

Type	Not Applicable	Function	Not Applicable
Material	Not Applicable		
Hinge Type	Not Applicable	Hinge Material	Not Applicable

BASINS

Tap Hole	One Taphole	Chain Stay Hole	No
Template	Not Required	Waste Type Req'd	Slotted
Overflow Incl.	Yes	Overflow Cover	Yes
Inner Bowl Depth	215mm		

GENERAL

Fixing Supplied	No
-----------------	----