

# TECHNICAL DATA SHEET

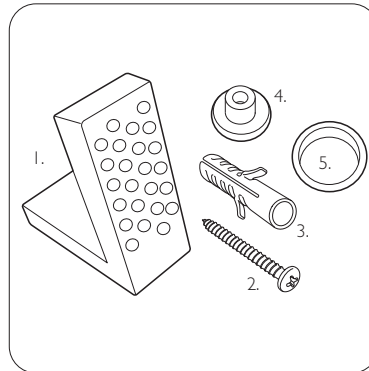
Structure Closed Coupled Fully Enclosed WC

# TAVISTOCK

NO.	Description	Product Code	Fixings included	Gross Weight
1	Close Coupled Cistern	C450S	YES	13KG
2	Soft Close Toilet Seat	TS450S	YES	3KG
3	Fully Enclosed WC	PF450S	YES	23KG



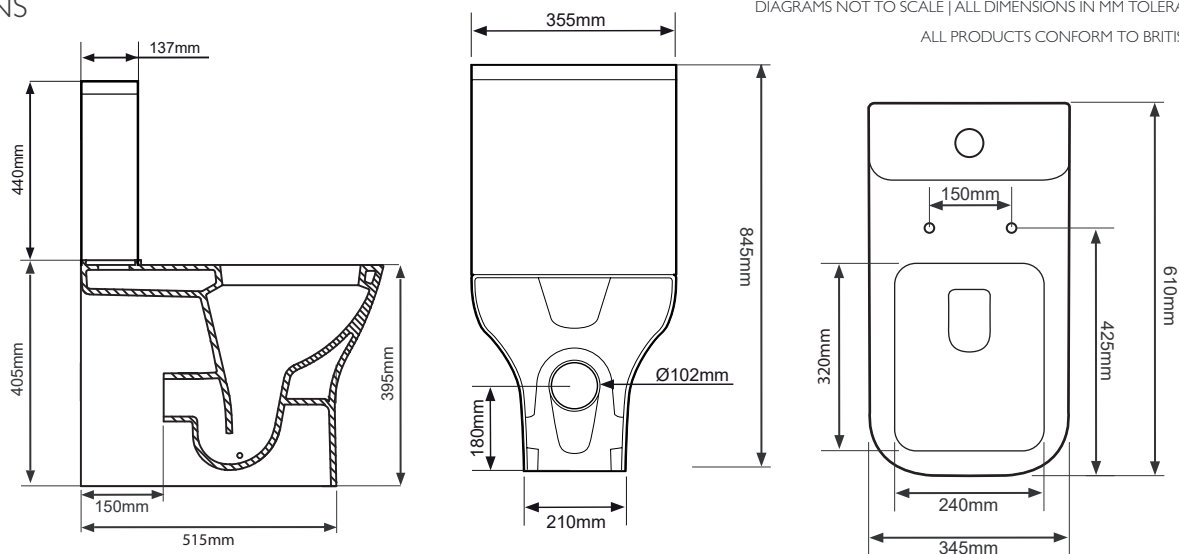
Floor Fixings



1. 2x Nylon Floor Bracket
2. 4x Stainless Steel Screws
3. 2x Nylon Screw Plugs
4. 2x Nylon Screw Collars
5. 2x Nylon Collars Caps (Metalic Finish)

Spare Code: SP14211

## DIMENSIONS



DIAGRAMS NOT TO SCALE | ALL DIMENSIONS IN MM TOLERANCE OF ± 5MM  
ALL PRODUCTS CONFORM TO BRITISH STANDARDS

\*Dimensions are subject to change, customers are advised to measure actual product before commencing installation.

\*\*Fixing point dimensions are for guidance only. The positions of fixings must be checked when product is received.

## FAQs

Q - Where is the inlet valve?  
A - Bottom inlet, back right of the pan.

Q - What is the flush volume?  
A - 4.5/3L

Q - Can this pan be used with a side connection outlet pipe?  
A - No

Q - Are there any other compatible seats?  
A - Yes, TS451S Slim Seat

Q - Rim style?  
A - Box rim

Key Dimensions Descriptions	Key Dimensions (mm)
Front to Back Footprint	515mm
Left to Right Footprint	210mm
Bowl Front to Back	320mm
Bowl Left to Right	240mm
Pan Height (+Cistern)	405mm (845mm)
Pan Overall Front to Back	610mm
Centre Waste Outlet to Floor	180mm
Width of Void	155mm
Is there a Ceramic Brace Bar	No
Distance from Spigot to back of Pan	150mm