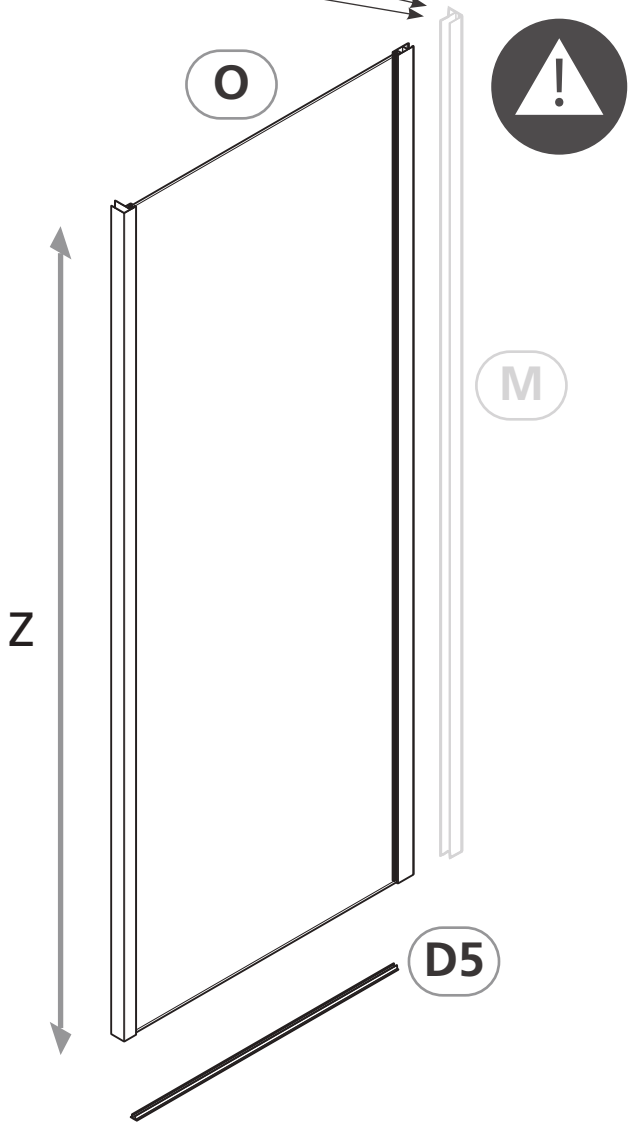
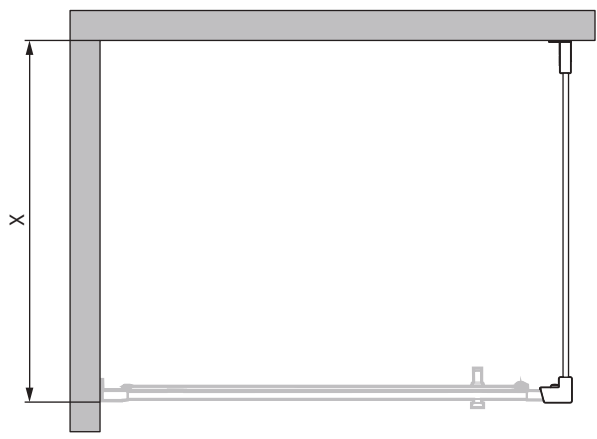
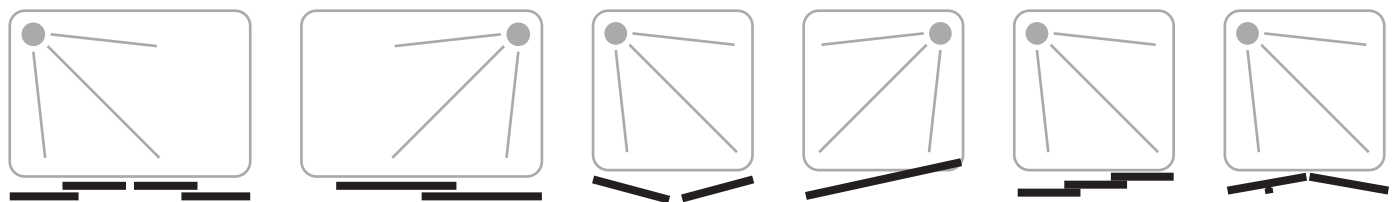
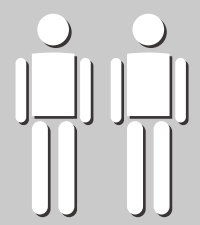
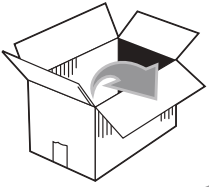


<hr/> <hr/> <hr/> <hr/>	<hr/> <hr/> <hr/> <hr/>
-------------------------	-------------------------

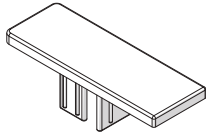


F66	X=66-69 cm	Z=195 cm
F68	X=68-71 cm	Z=195 cm
F73	X=73-76 cm	Z=195 cm
F76	X=76-79 cm	Z=195 cm
F78	X=78-81 cm	Z=195 cm
F83	X=83-86 cm	Z=195 cm
F88	X=88-91 cm	Z=195 cm
F93	X=93-96 cm	Z=195 cm
F98	X=98-101 cm	Z=195 cm
F118	X=118-121 cm	Z=195 cm

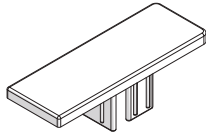




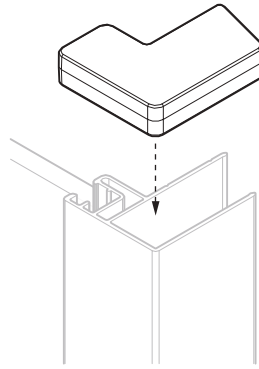
**B2**



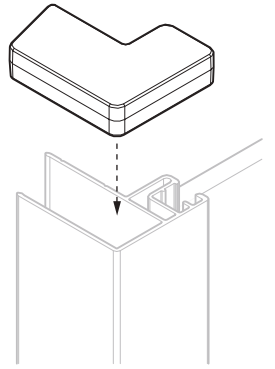
**B3**



**B4**



**B5**



**C5**



3,5x9,5 mm

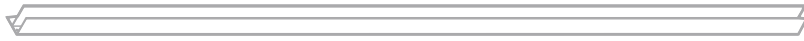
x2

**C6**



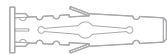
x4

**M**



**C1**

x2

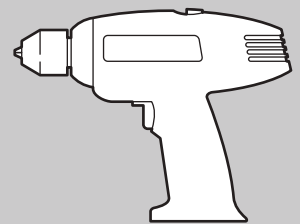
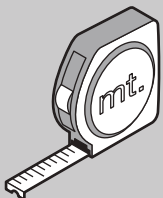
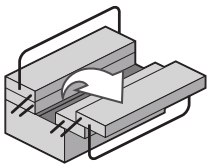


**C2**

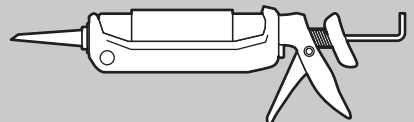
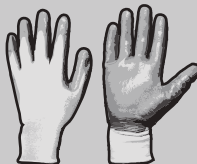
x2



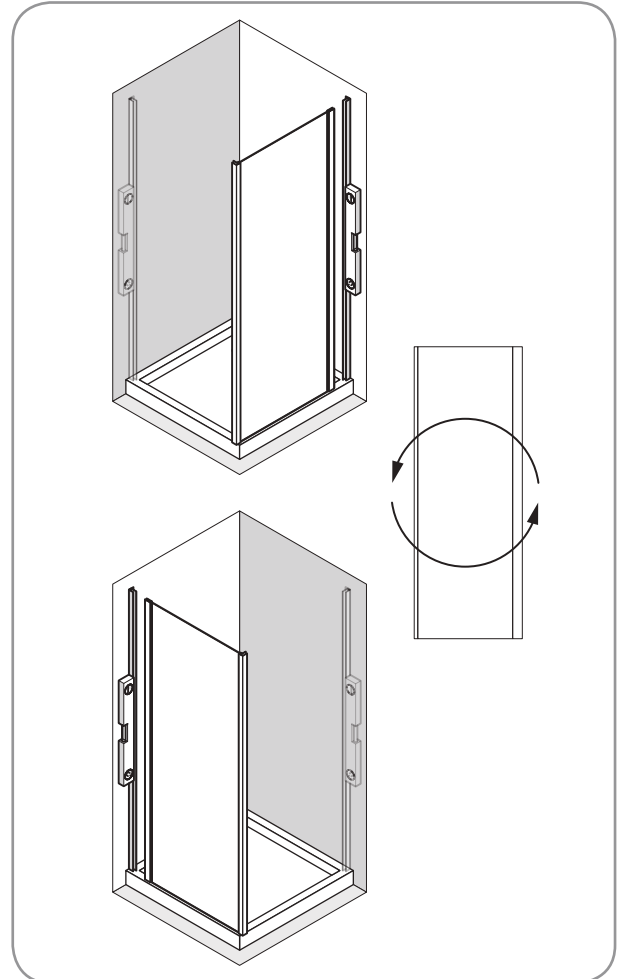
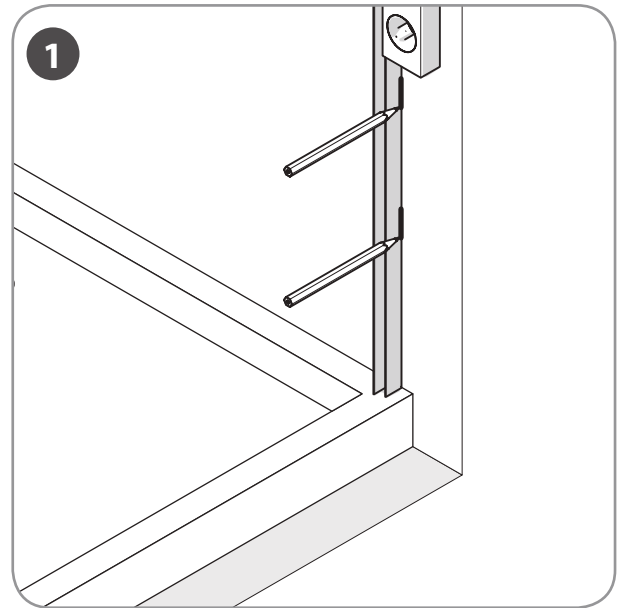
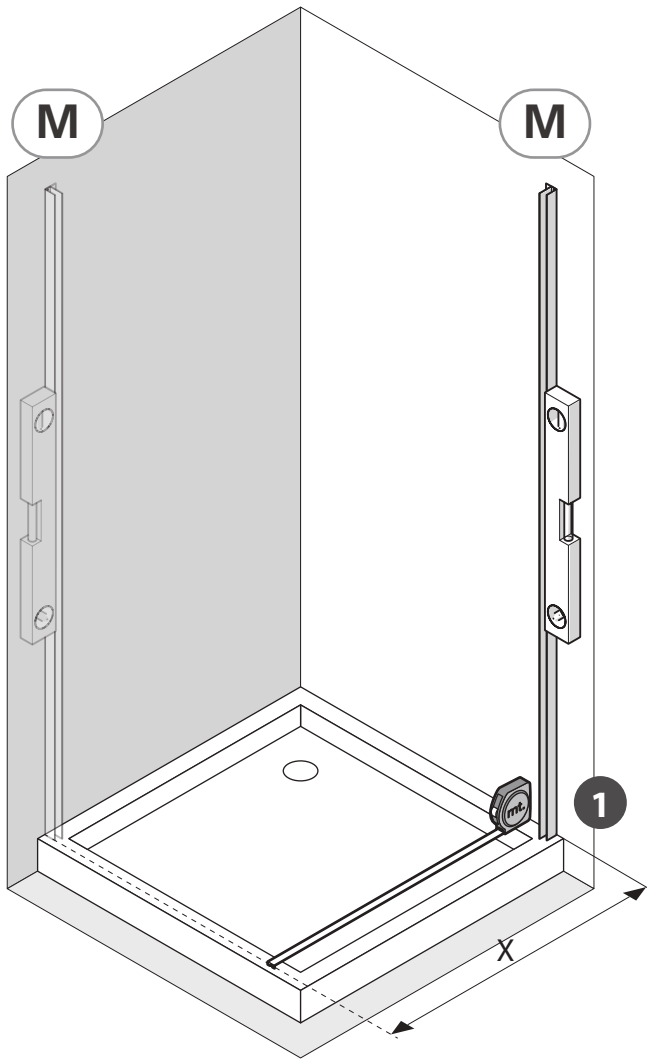
4X35 mm



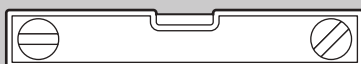
ø6 mm



# 1



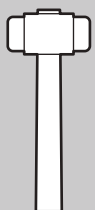
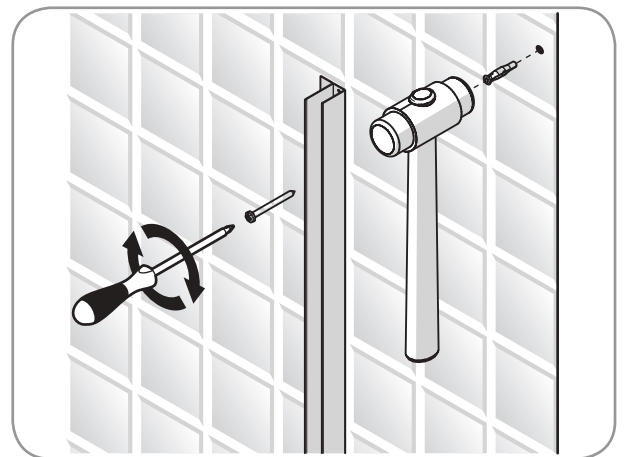
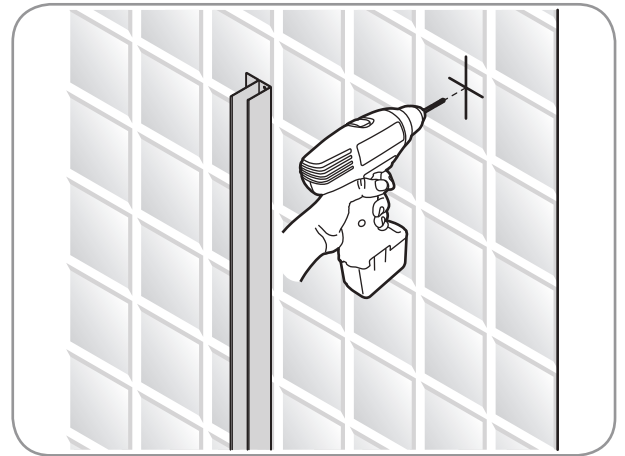
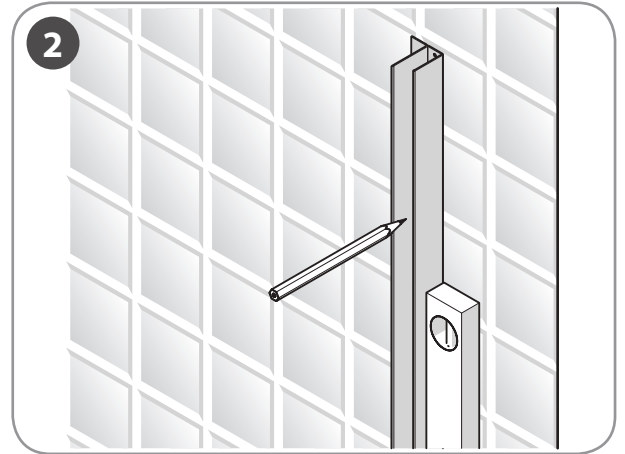
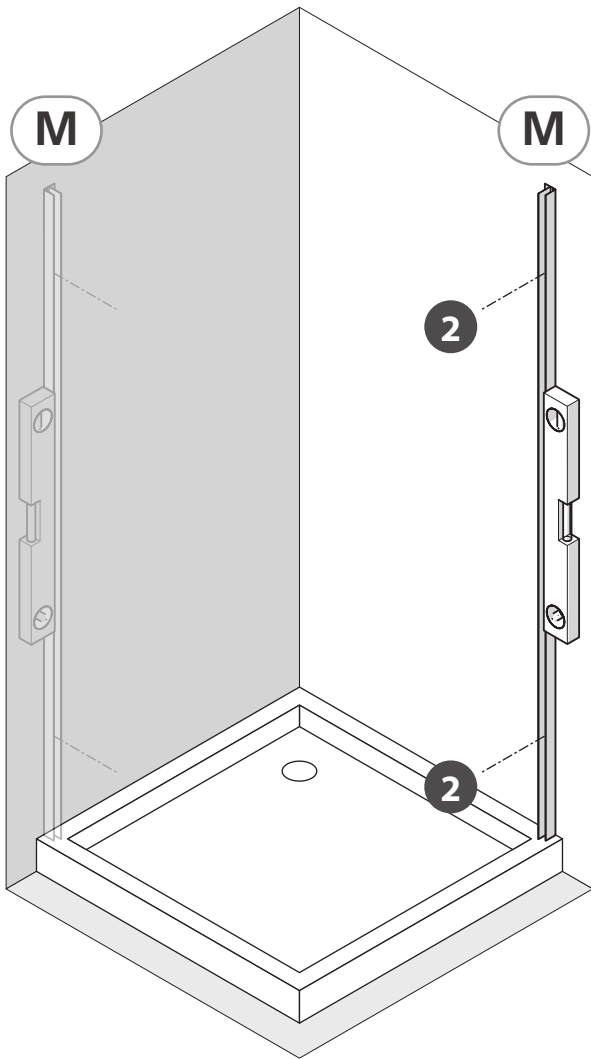
F66	X=66-69 cm
F68	X=68-71 cm
F73	X=73-76 cm
F76	X=76-79 cm
F78	X=78-81 cm
F83	X=83-86 cm
F88	X=88-91 cm
F93	X=93-96 cm
F98	X=98-101 cm
F118	X=118-121 cm



M



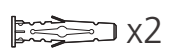
x2



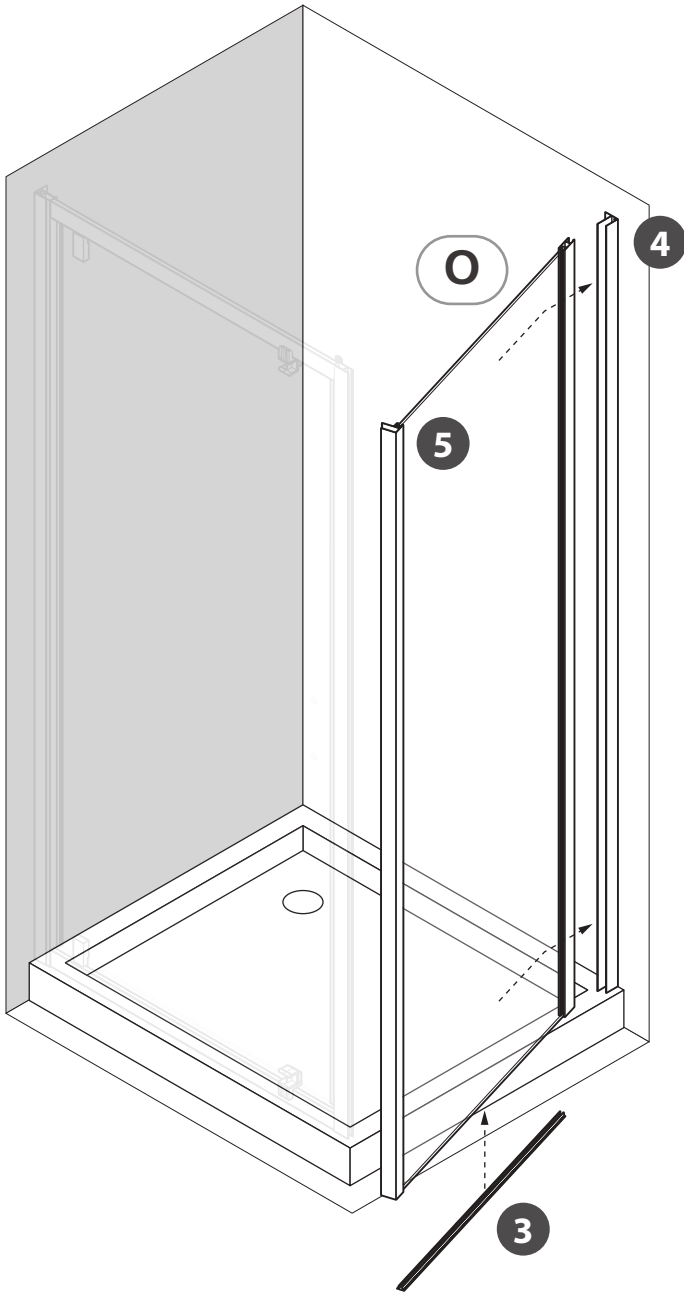
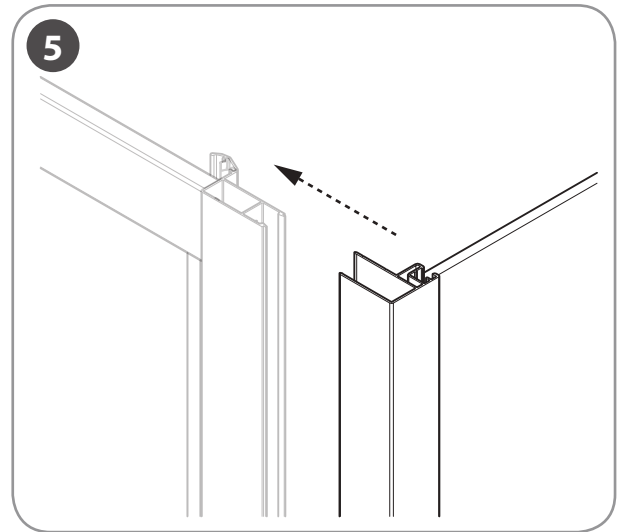
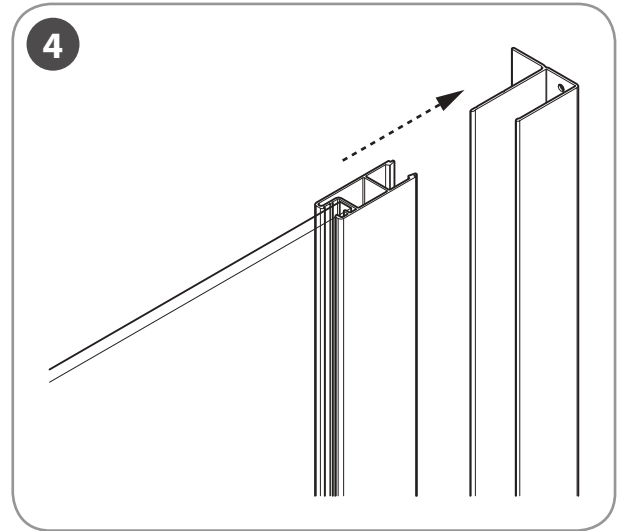
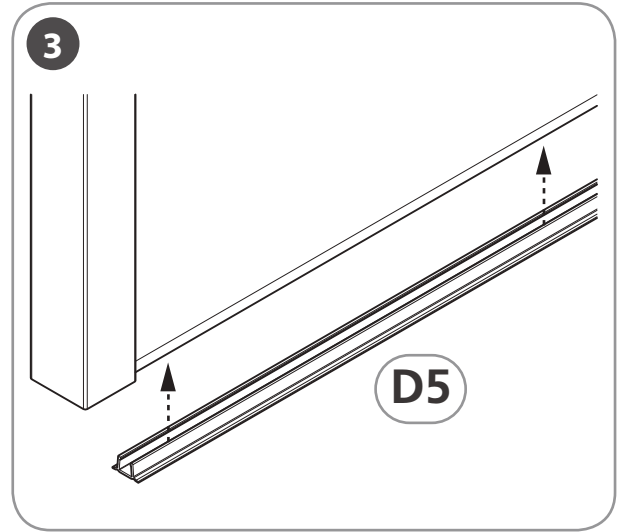
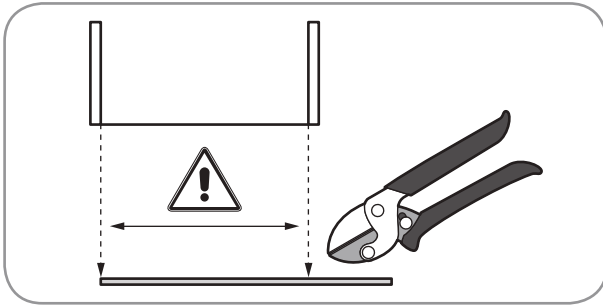
M



4X35 mm x2

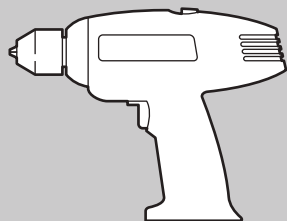
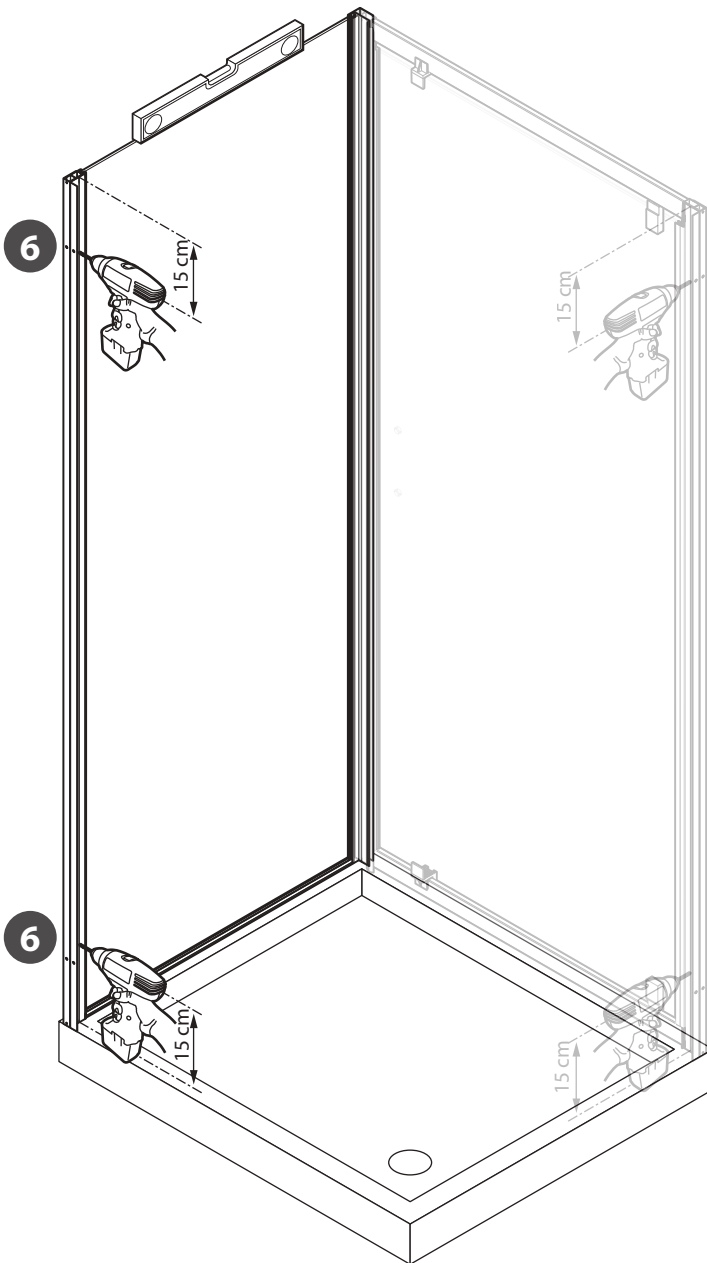
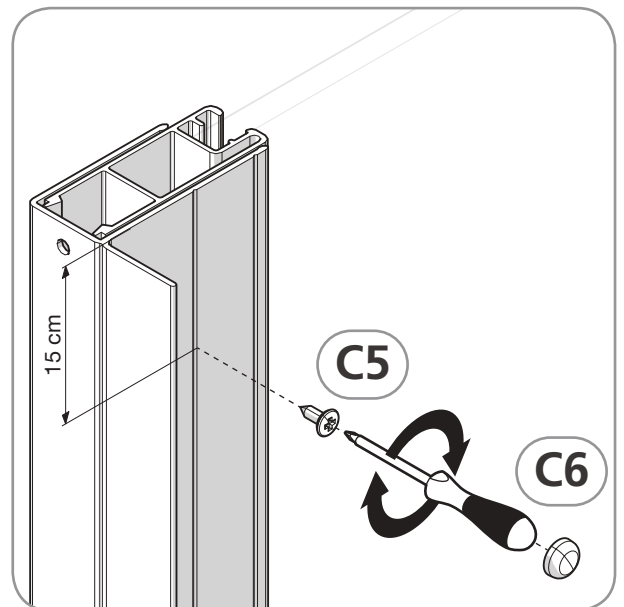
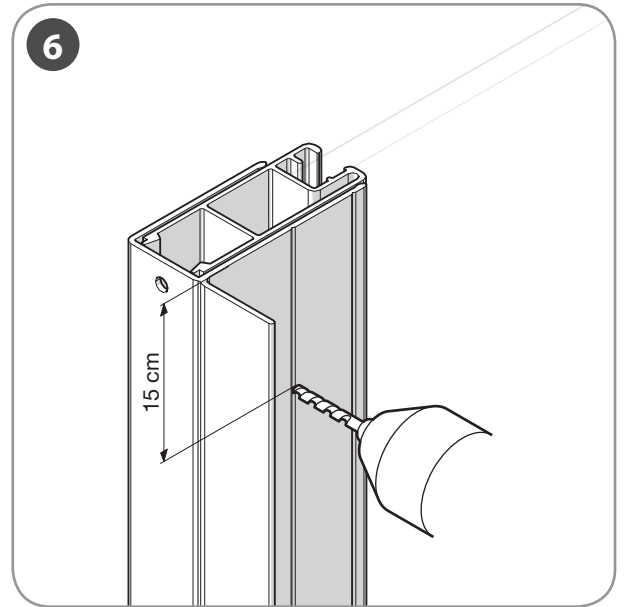
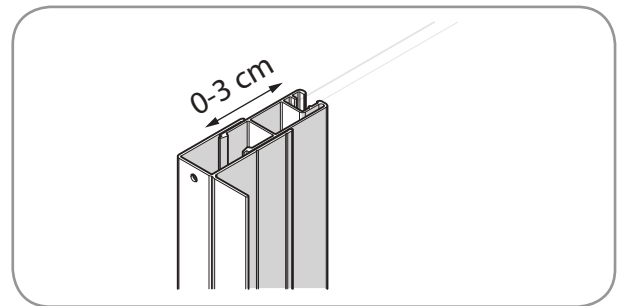
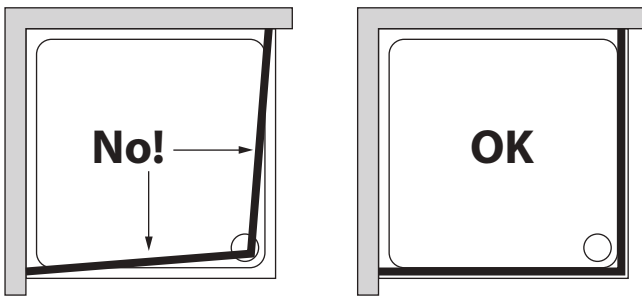


3



D5



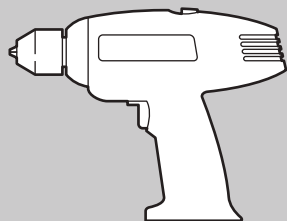
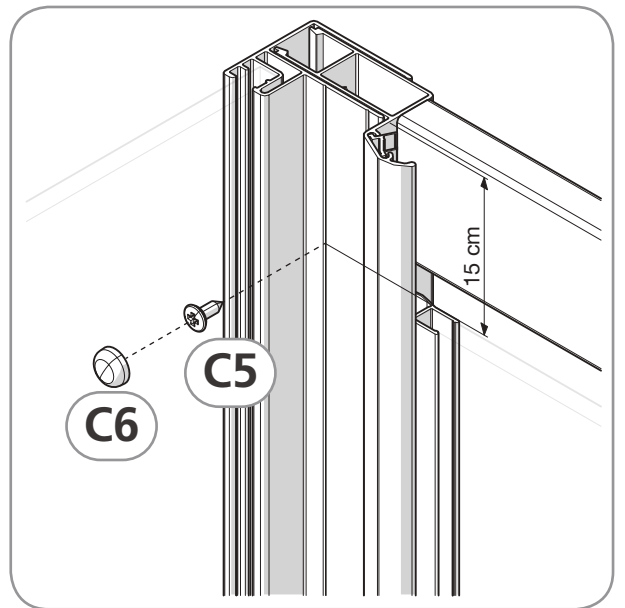
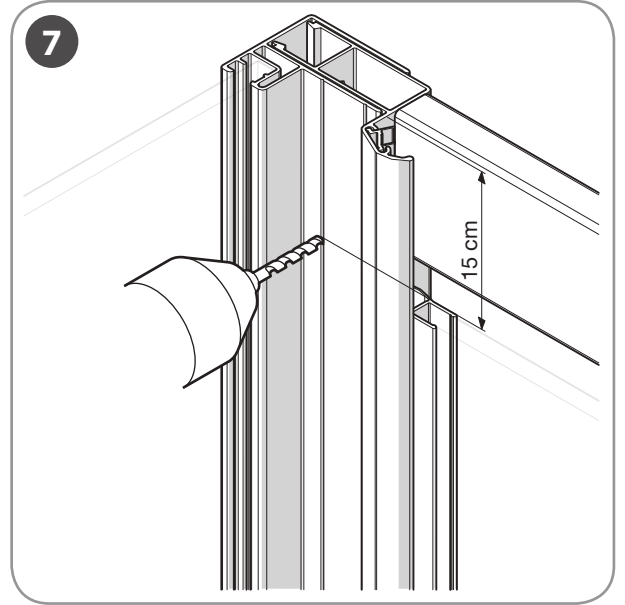
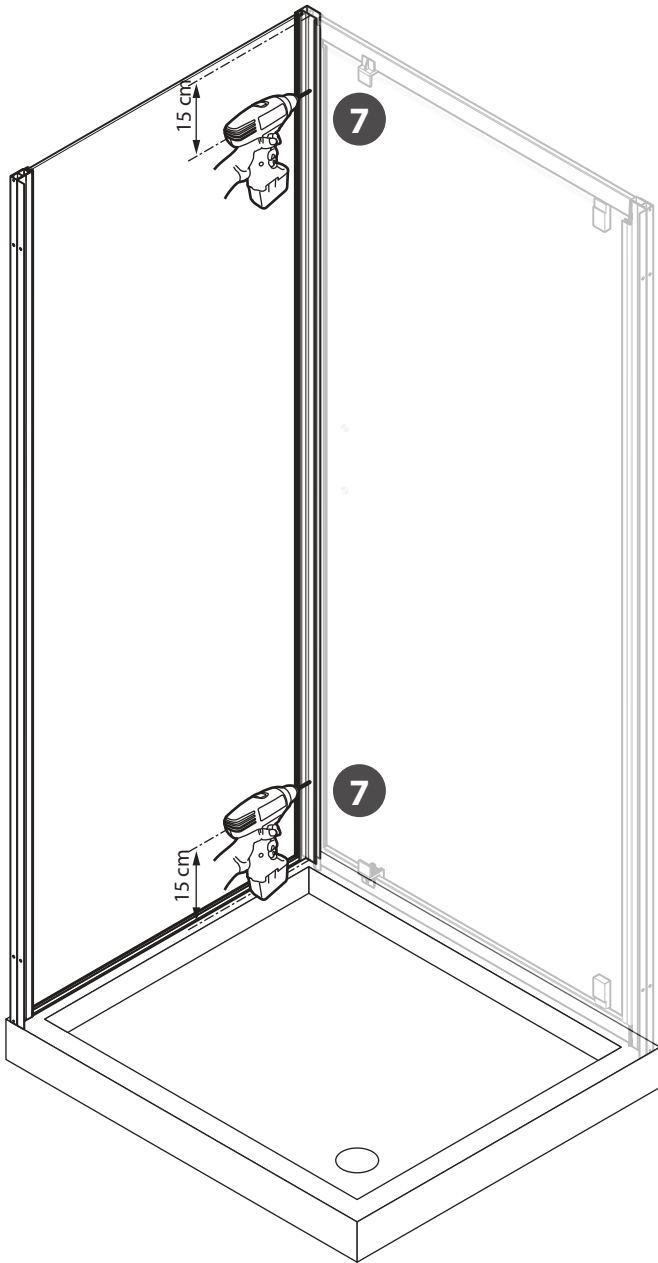


3,5x9,5 mm  
x2



x2

5



ø3 mm

C5



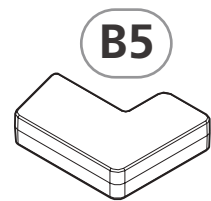
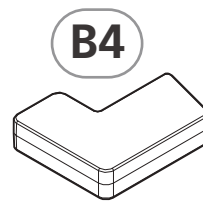
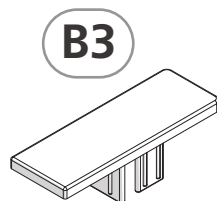
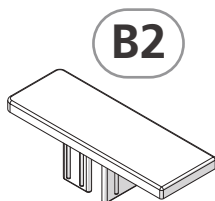
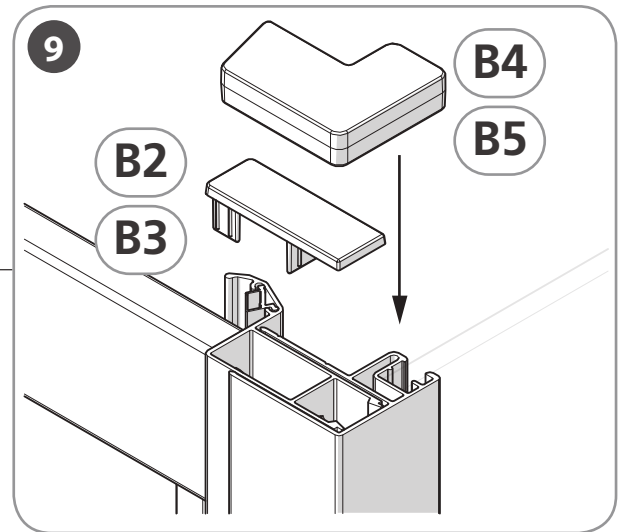
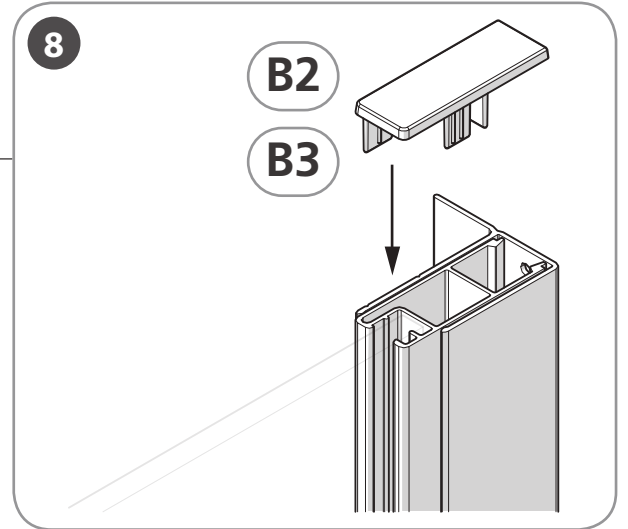
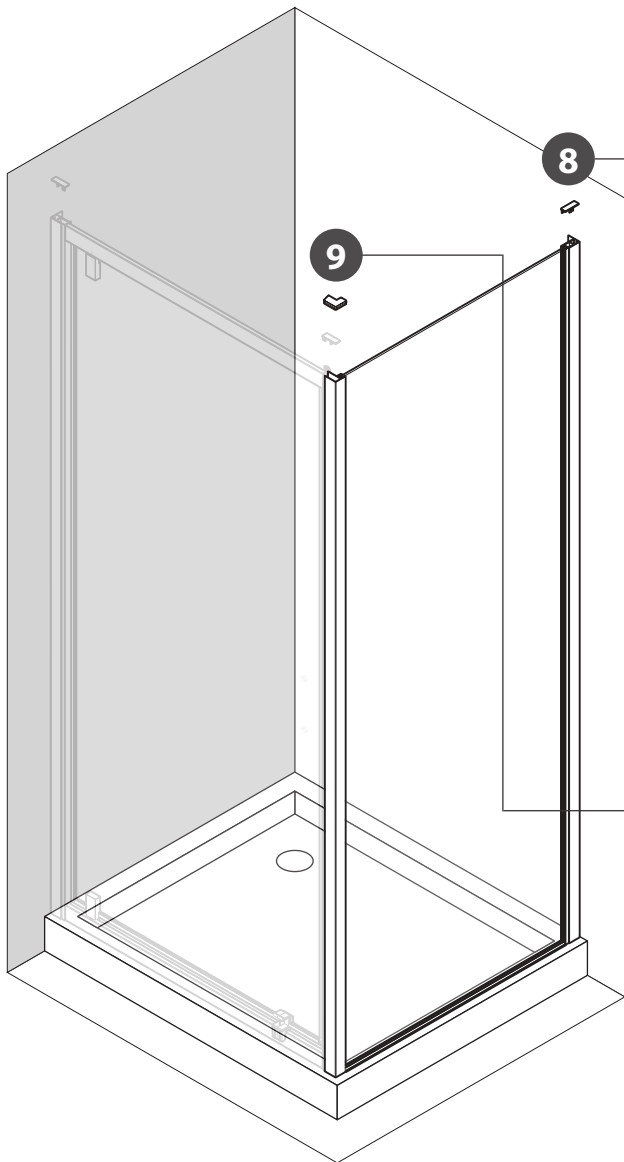
3,5x9,5 mm  
x2

C6



x2





7

