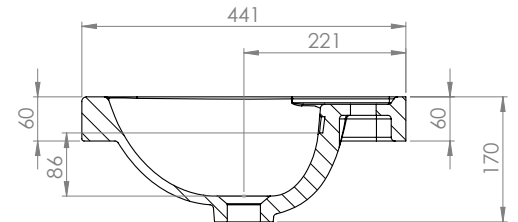
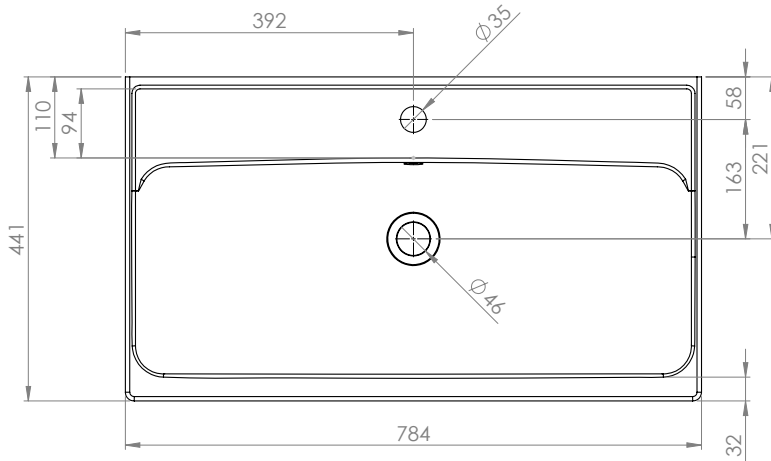


# Technical Data Sheet

## ACUMEN 800mm CERAMIC BASIN

What's in the box: 1x DC12062

**TAVISTOCK**  
inspiring bathrooms



Diagrams not to scale  
All dimensions in mm  
Tolerance of +/-6mm

### Materials

Basin: Ceramic

\*\*Dimensions are subject to change, customers are advised to measure actual product before commencing installation.

### FAQs

- |                                                                 |                                                                                                                                                                                                                                                                                                                                              |
|-----------------------------------------------------------------|----------------------------------------------------------------------------------------------------------------------------------------------------------------------------------------------------------------------------------------------------------------------------------------------------------------------------------------------|
| Q: What is the maximum water depth of the basin?                | A: 85mm up to the overflow.                                                                                                                                                                                                                                                                                                                  |
| Q: What is the width of the Tapledge?                           | A: The Tapledge is 100mm wide.                                                                                                                                                                                                                                                                                                               |
| Q: What is the distance from the Taphole centre to Basin Waste? | A: 163mm                                                                                                                                                                                                                                                                                                                                     |
| Q: Can this basin be wall mounted?                              | A. No, this basin cannot be wall mounted.                                                                                                                                                                                                                                                                                                    |
| Q: Does the basin fit other furniture?                          | A. No, this basin does not fit any other furniture.                                                                                                                                                                                                                                                                                          |
| Q: Are overflow cover caps available in other finishes?         | A: Yes, matching finishes to our brassware are available to order separately.                                                                                                                                                                                                                                                                |
| Q: What are the taphole/ basin waste sizes?                     | A: All sizes are to British Standard - (BS EN 31) <ul style="list-style-type: none"><li>• Diameter of the central tap hole = 35mm : +2/ -1mm</li><li>• Bore of the waste outlet hole = 46mm : +2 / - 3mm</li><li>• Diameter of the base for the seal between the waste outlet hole and the waste fitting = <math>\geq</math> 60 mm</li></ul> |