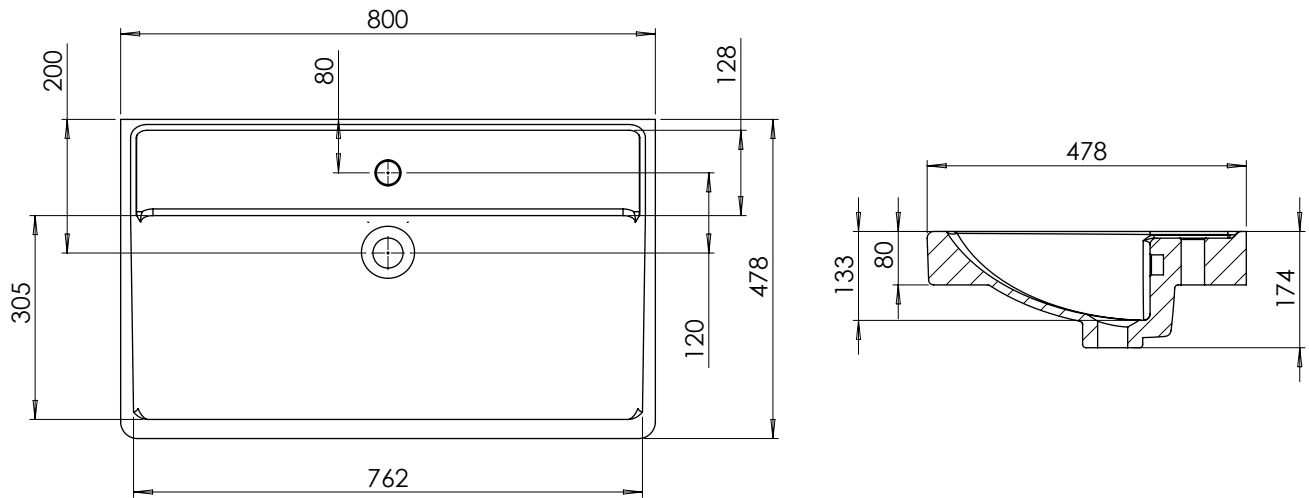


Technical Data Sheet

COMPASS 800mm Ceramic Basin

What's in the box: 1x CM800C

TAVISTOCK
inspiring bathrooms



Diagrams not to scale
All dimensions in mm
Tolerance of +/-5mm

Materials

Basin: Ceramic

**Dimensions are subject to change, customers are advised to measure actual product before commencing installation.

FAQs

- Q: What is the maximum water depth of the basin?
A: 108mm up to the overflow.
- Q: What is the width of the Tapledge?
A: The Tapledge is 128mm wide.
- Q: What is the distance from the Taphole centre to Basin Waste?
A: 120mm
- Q: Can this basin be wall mounted?
A. No.
- Q: Does the basin fit other furniture?
A. No.
- Q: What are the taphole/ basin waste sizes?
A: All sizes are to British Standard - (BS EN 31)
- Diameter of the central tap hole = 35mm : +2/ -1mm
 - Bore of the waste outlet hole = 46mm : +2 / - 3mm
 - Diameter of the base for the seal between the waste outlet hole and the waste fitting = ≥ 60 mm

NOTE: Colours unique to Tavistock - No RAL Code available