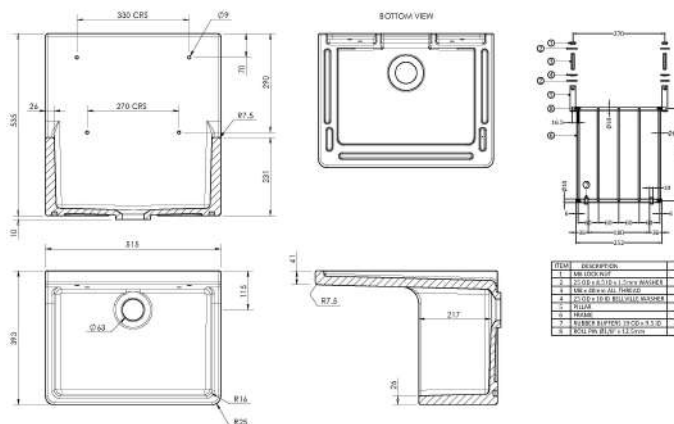


Sales Code: CS10121

Description: Cleaner Sink Inc Grid 515X535x393



**Product Dimensions**

Height (mm):	535
Width (mm):	515
Depth (mm):	393
Nett Weight (kg):	33

**Packaging Dimensions**

Height (mm):	425
Width (mm):	527
Depth (mm):	563
Gross Weight (kg):	33.5

**Packaging Data**

Box Colour:	Brown Cardboard Box
Box Qty:	1
Label Size:	100 x 50
Label Colour:	White Label
Label Qty:	2

**Outer Box Dimensions (If Applicable)**

Height (mm):	
Width (mm):	
Depth (mm):	
Gross Weight (kg):	
Barcode:	5056462649429

**Product Details**

Country of Origin:	Utd.Arab.Emir.
Fitting Instruction:	No
Certification: CE & UKCA:	WRAS: WRAS No:
Product Material:	

Fixing Supplied:

**Pans/Bidets:** Trap Style: Includes Seat:

**Seats:** Seat Type: Material:  
Function: Hinge Type:  
Hinge Material:

**Cisterns:** Operating Type: Fittings:  
Lever Type:

**Basins:** Tap Hole: Chain Stay Hole:  
Template: Waste Type Req:  
Overflow Inc: Overflow Cover:  
Inner Bowl Depth (mm): 217 mm