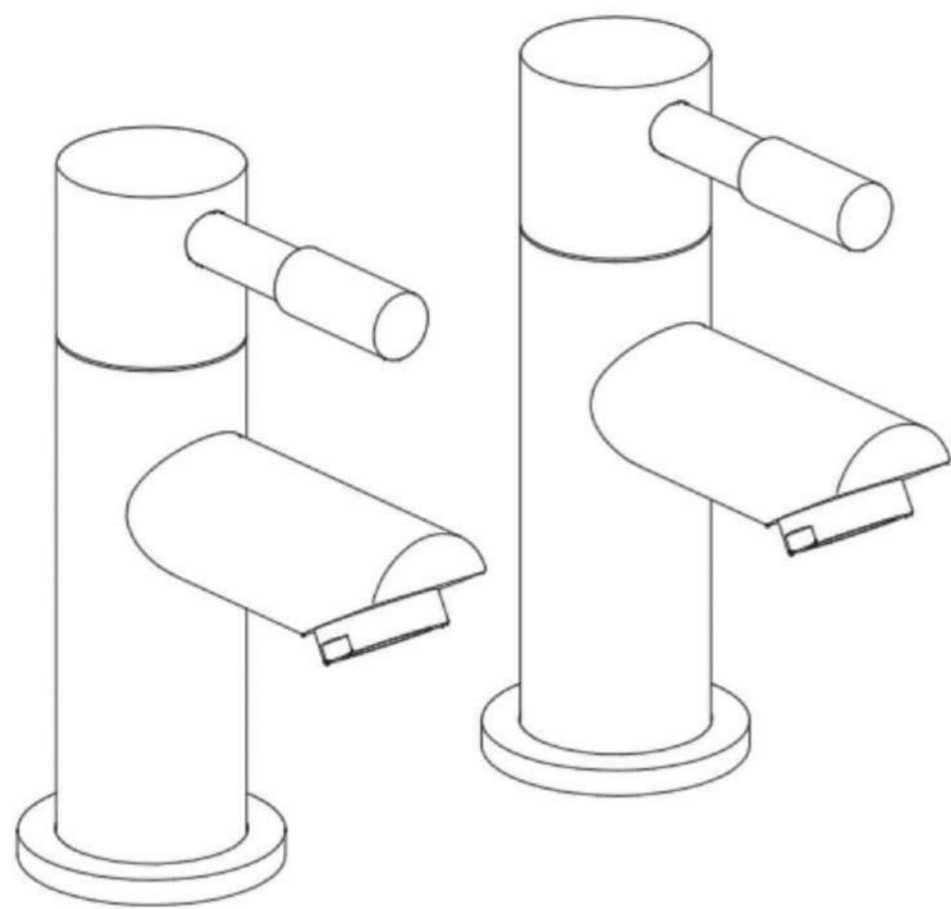


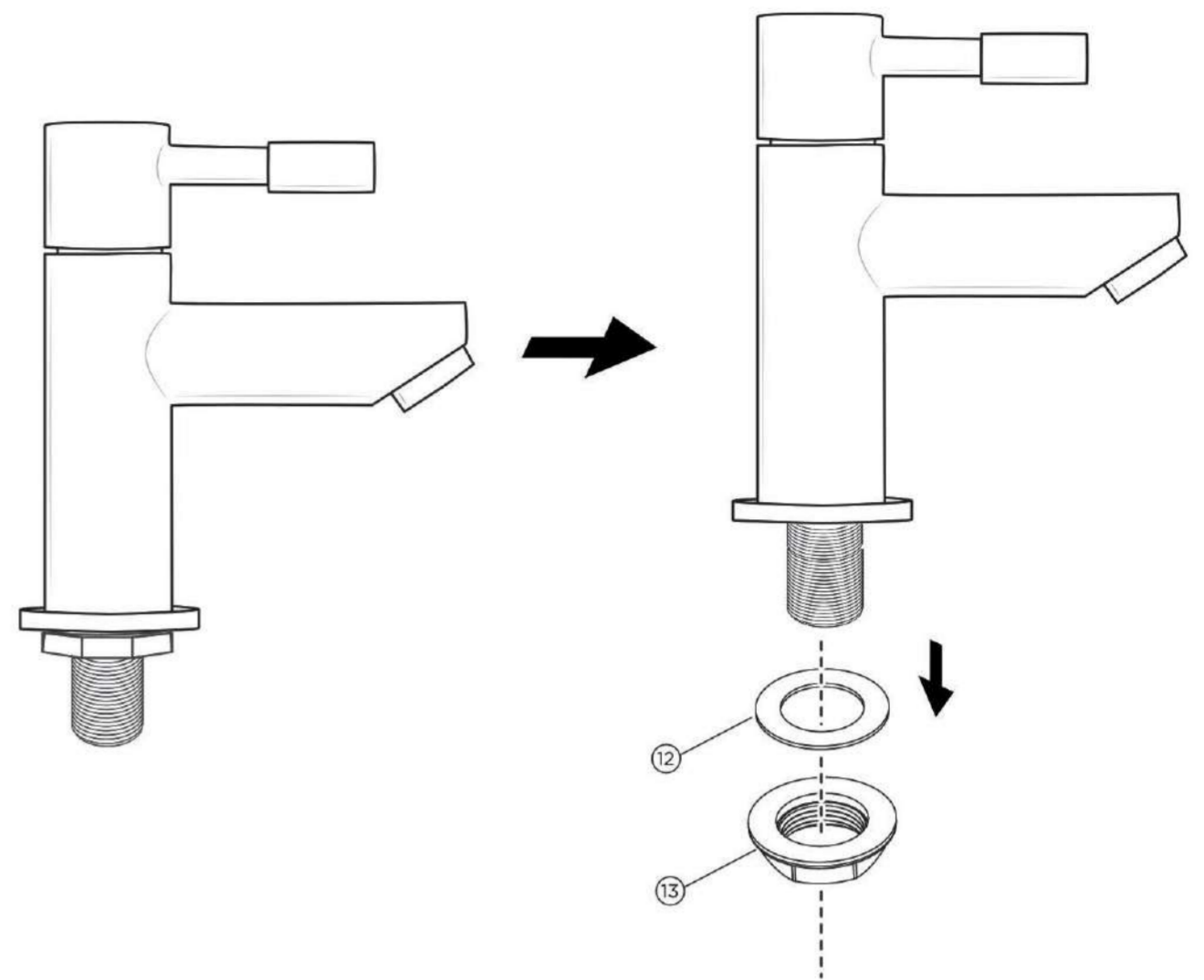
General Fitting Guide for Basin & Bath Taps



Consult a qualified plumber if you have any problems installing this product.

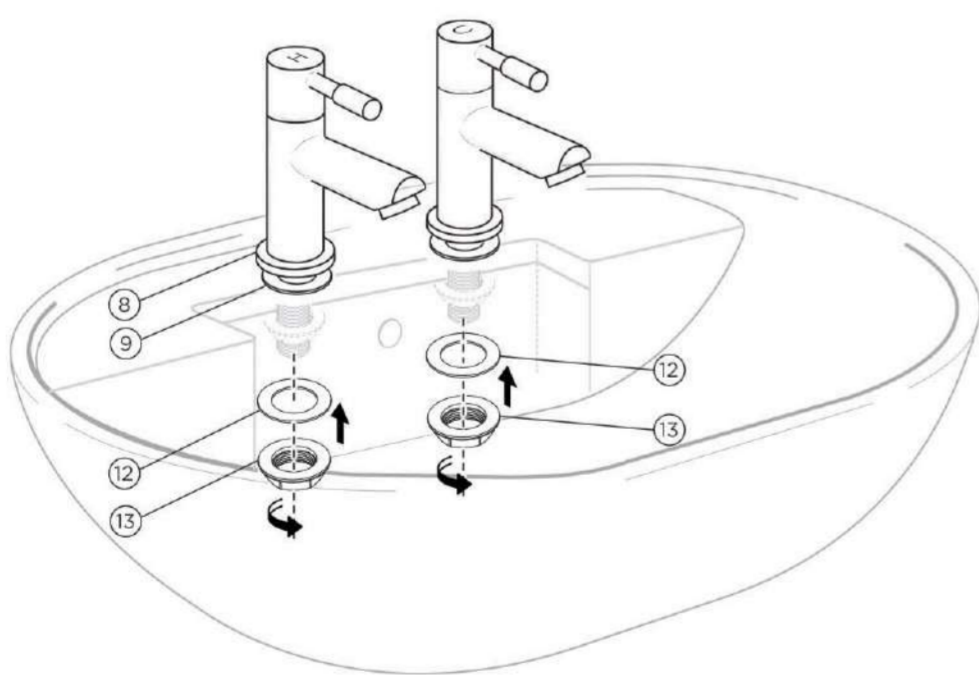
INSTALLATION PROCEDURE

1 Remove the plastic backnut and washer from the water inlets.

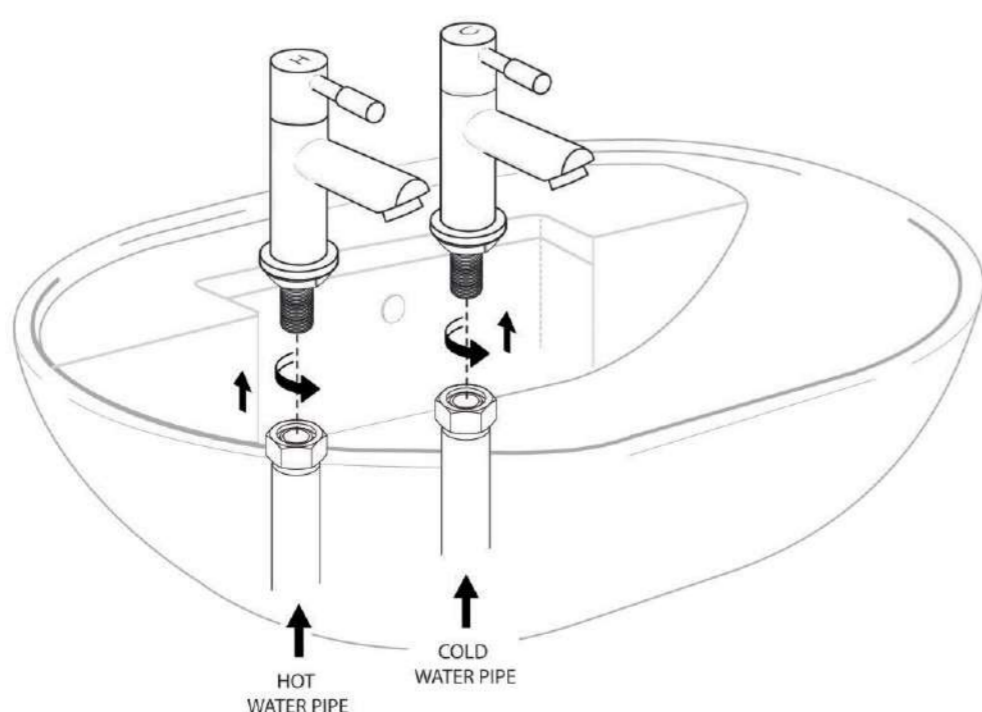


INSTALLATION PROCEDURE

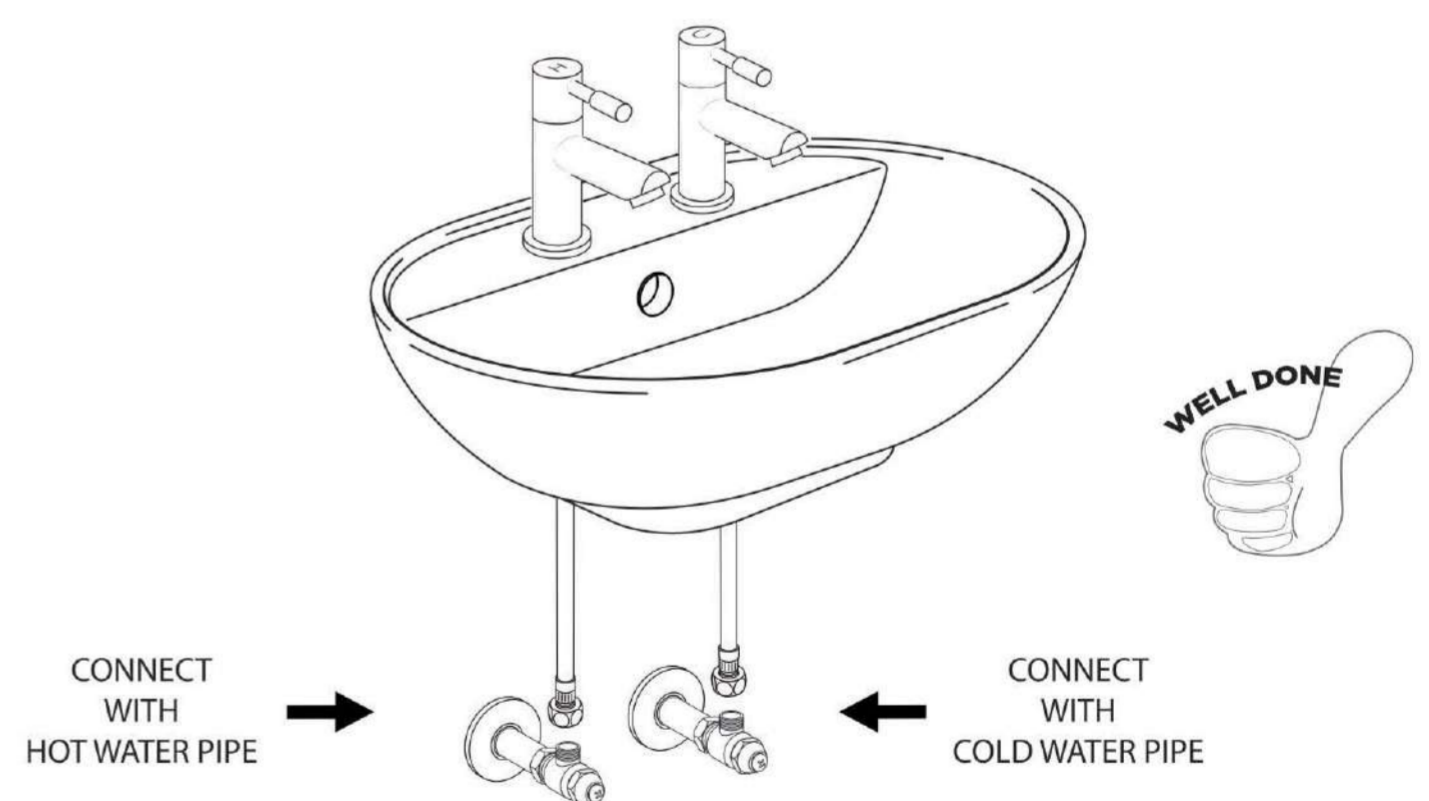
2 Carefully assemble fittings onto the basin, ensuring rubber washers are in place at the base of the fitting. Fasten the backnut and washer underneath but do not over tighten.



3 Connect tap inlets to household pipes.



3/4 Ø



AFTER INSTALLATION

Ensure that all connections are tight. Ensure that the handle is in the off position. Turn on the drain and main water supply, and check for leaks. Repair as needed.

CARE & CLEANING

Your new tap is designed for years of trouble-free performance. Keep it looking new by cleaning it periodically with mild soap, rinse thoroughly with warm water and dry with a clean, soft cloth. Do not use abrasive cleaners, steel wool or harsh chemicals, as these will dull the finish. Failure to follow these instructions may void your warranty.