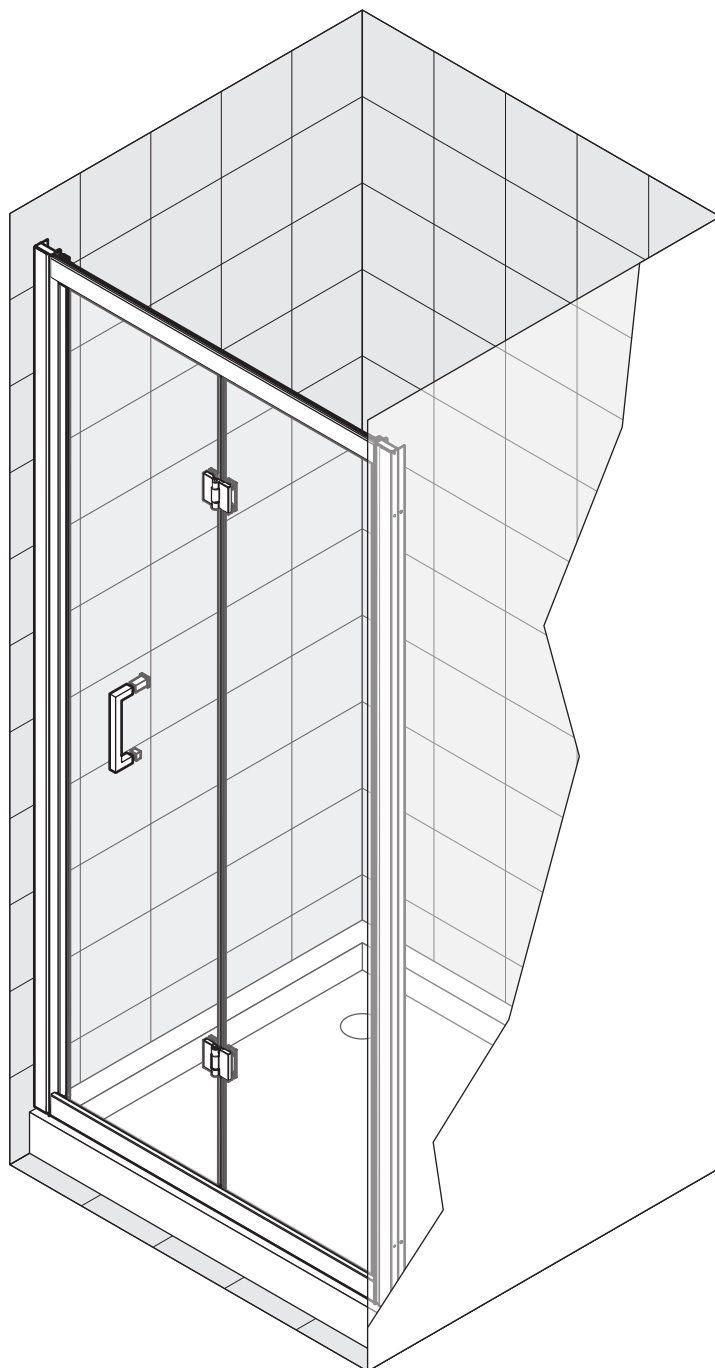
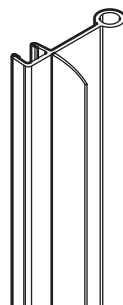
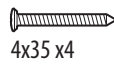
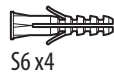
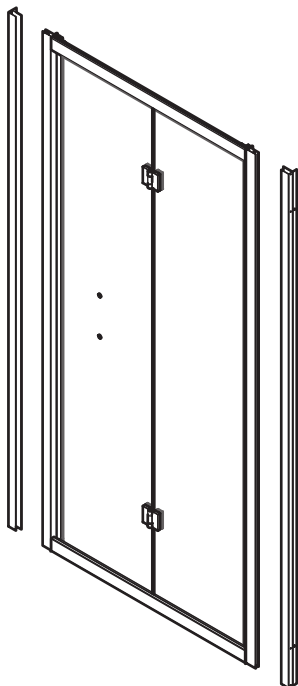
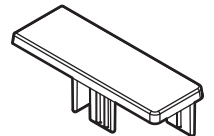
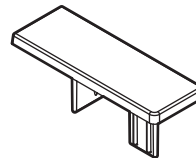
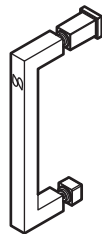
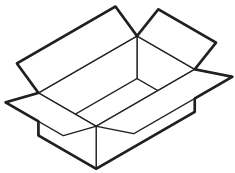
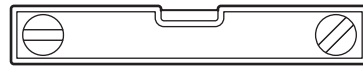
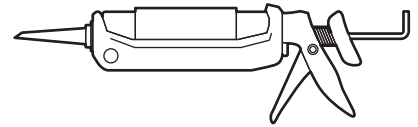
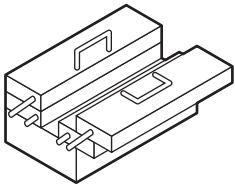


S



<hr/> <hr/> <hr/> <hr/>	<hr/> <hr/> <hr/> <hr/>
-------------------------	-------------------------



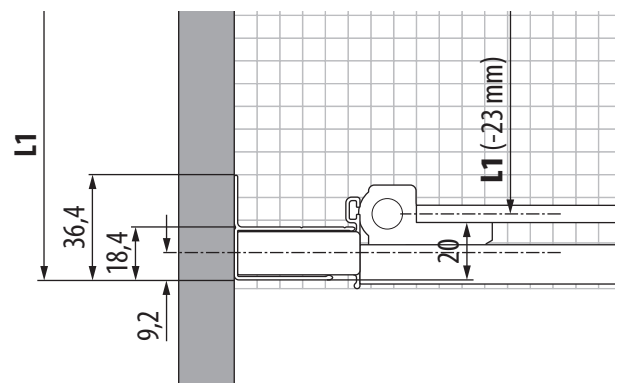
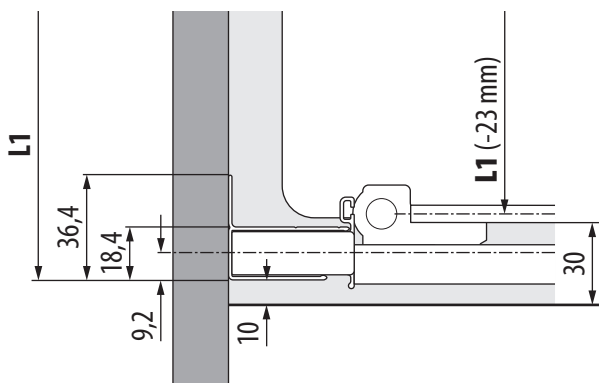
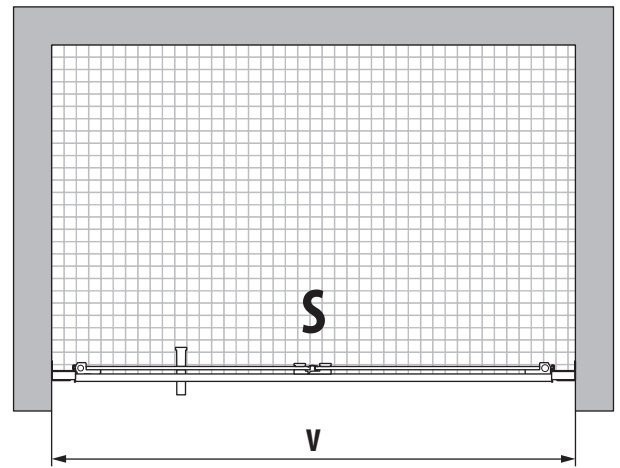
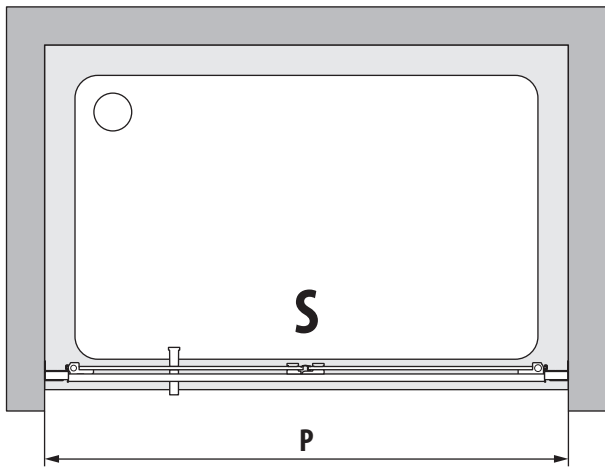
x1



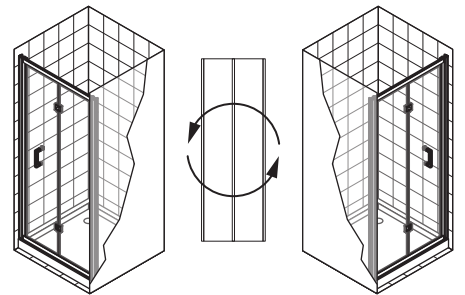
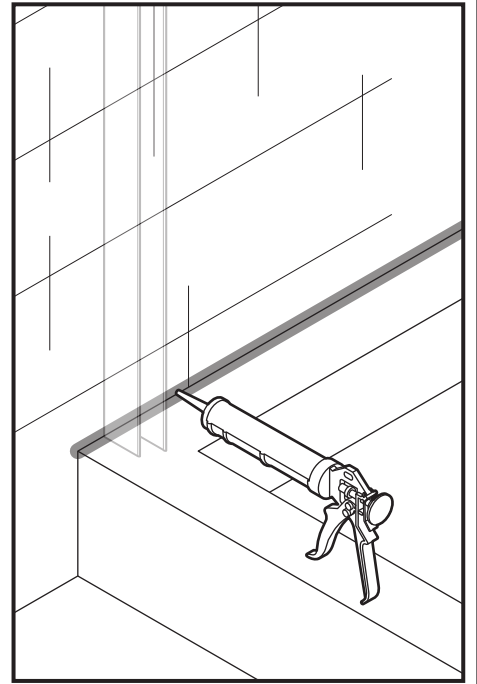
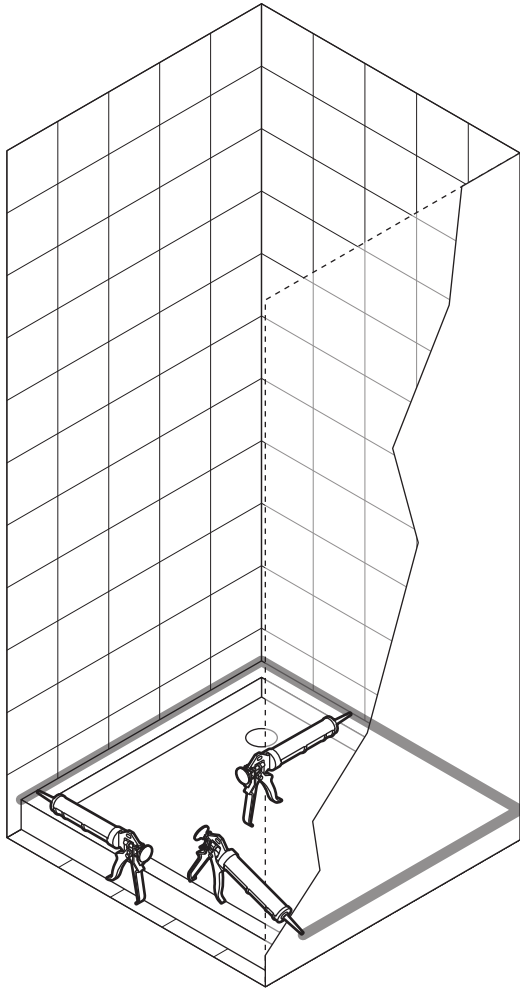
x2

S2	P mm
66	660-720
72	720-780
76	760-820
86	860-920
96	960-1020

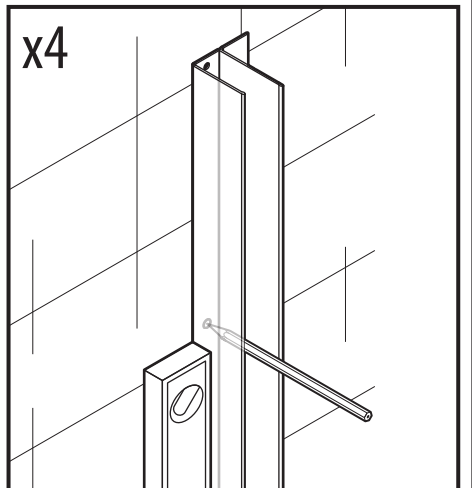
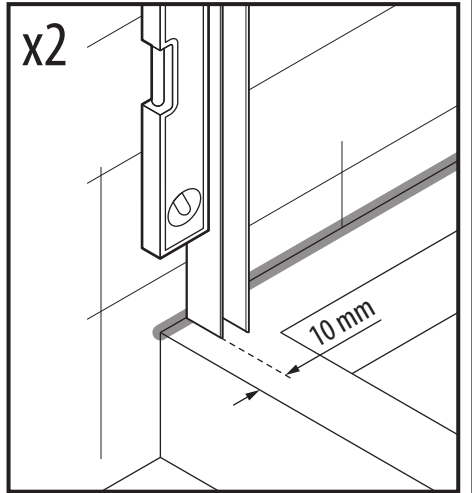
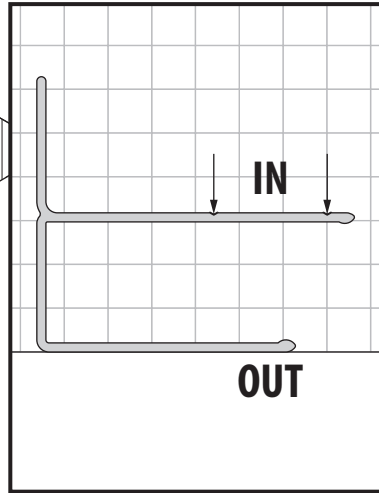
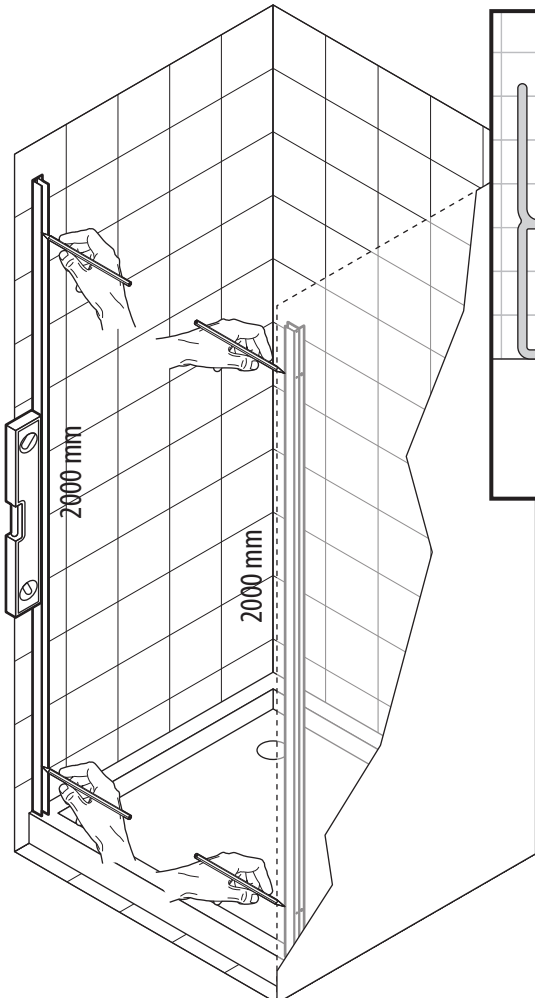
S2	V mm
66	660-720
72	720-780
76	760-820
86	860-920
96	960-1020



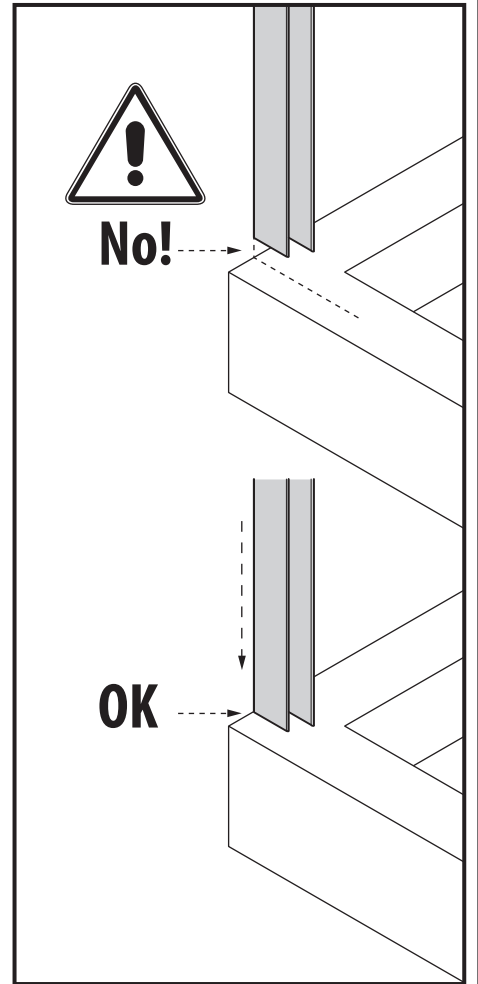
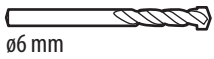
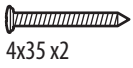
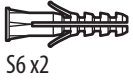
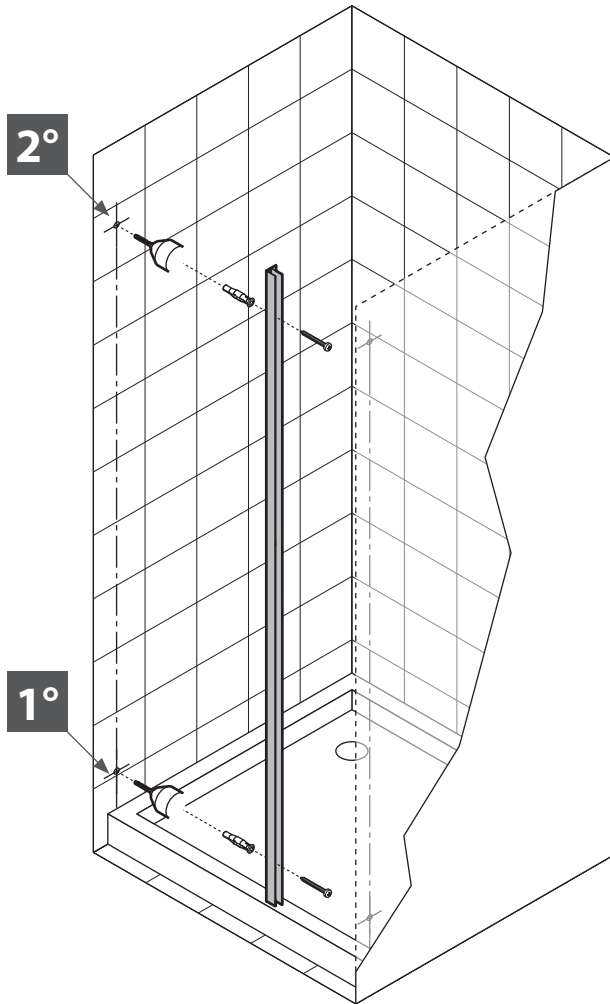
# 1



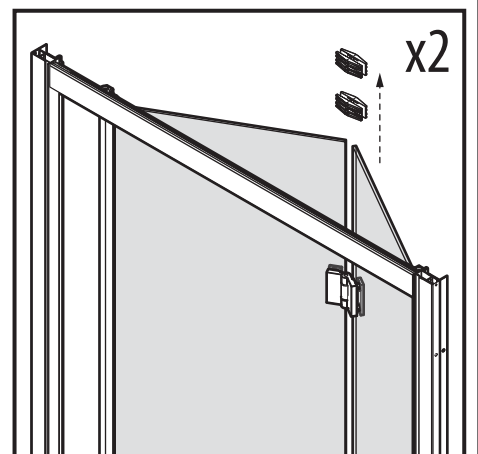
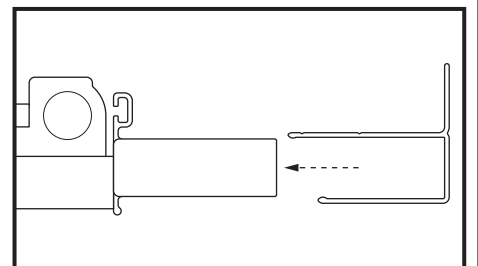
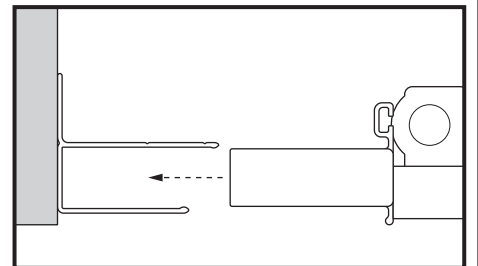
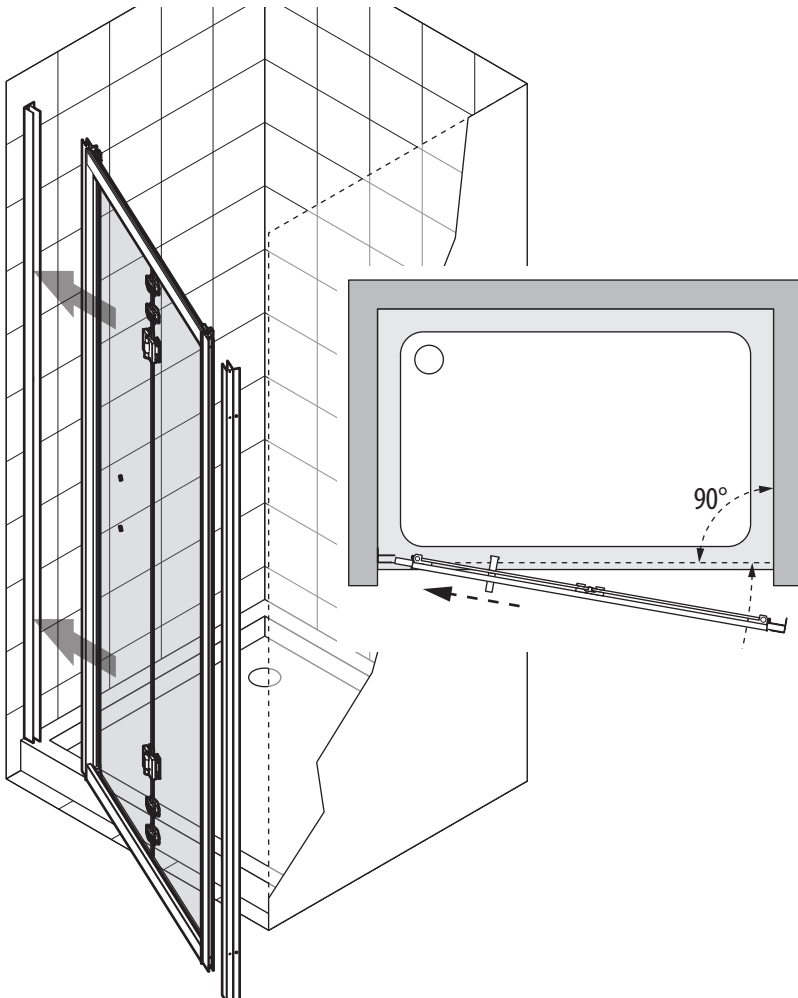
# 2



# 3

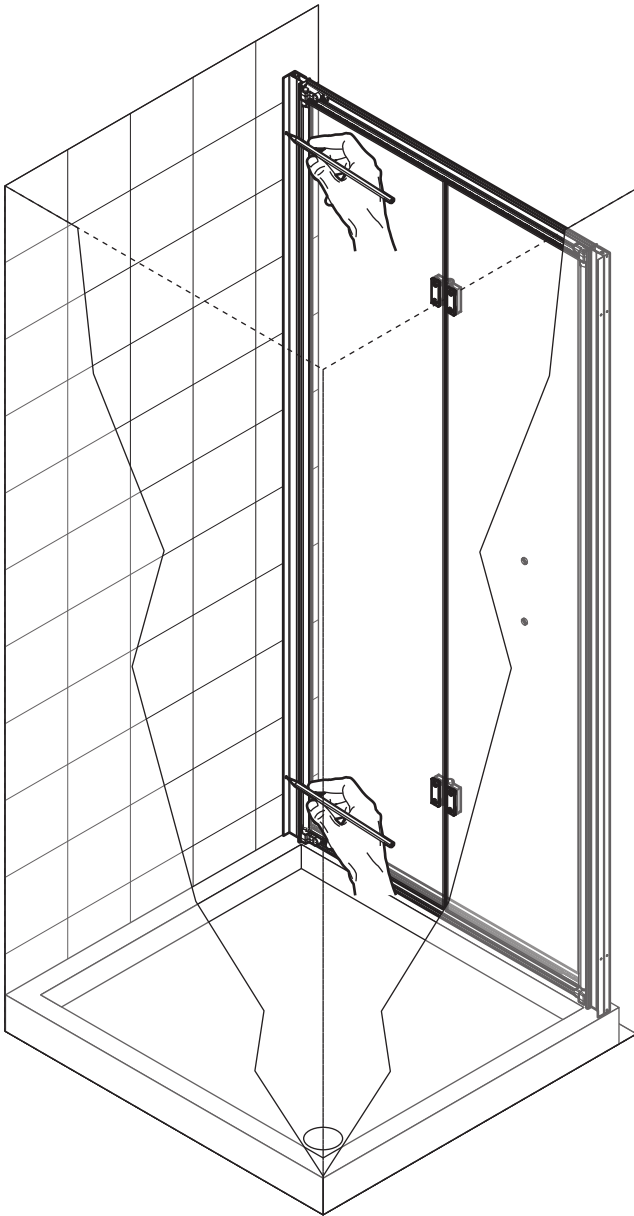
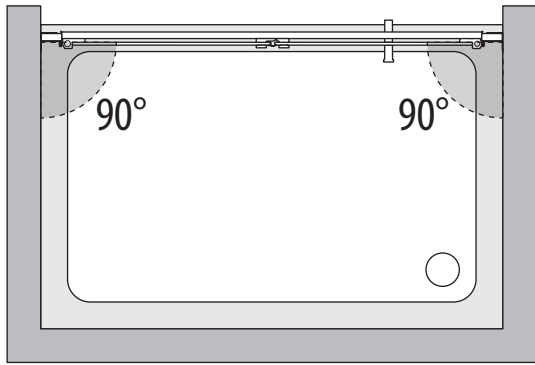


# 4



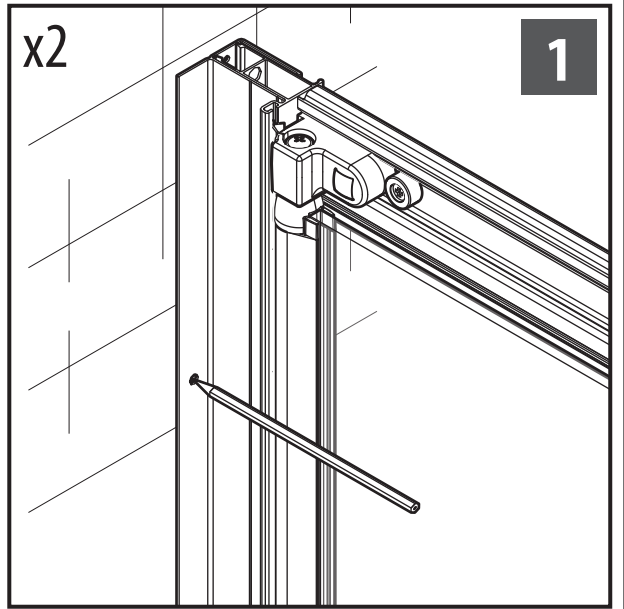
5

# 5



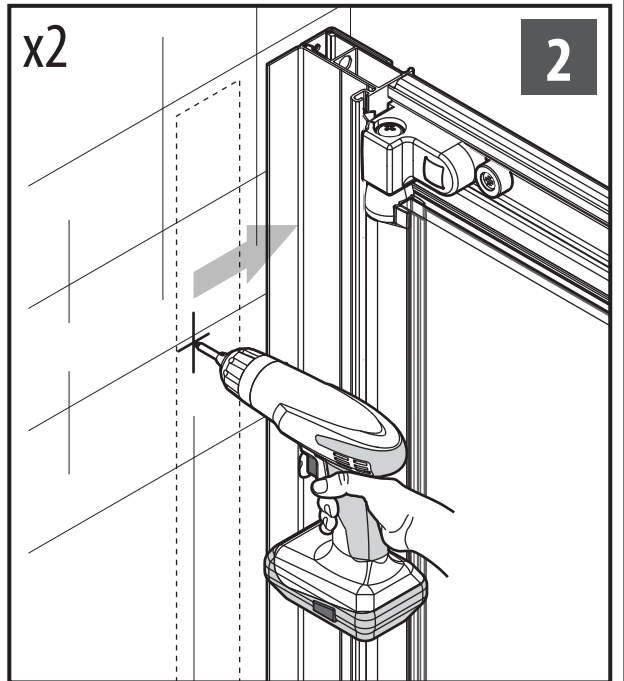
x2

1



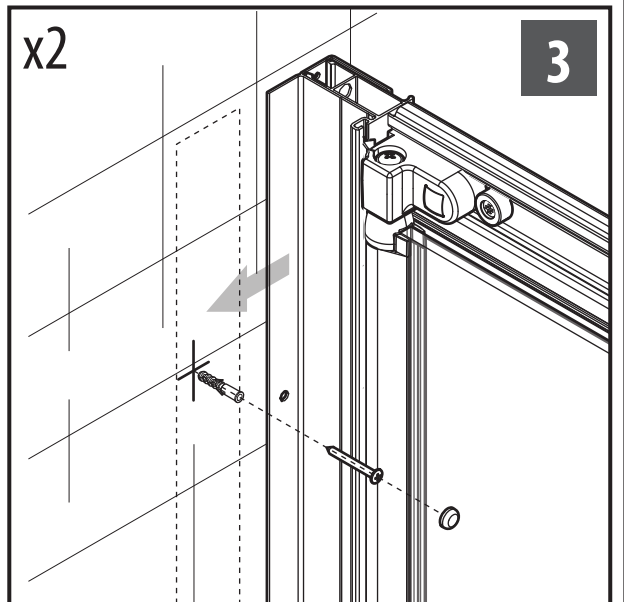
x2

2

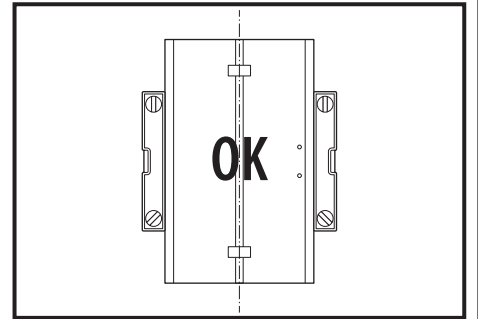
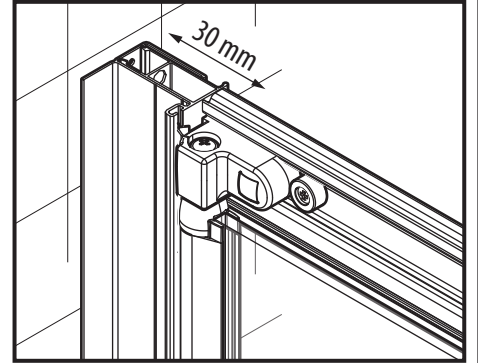
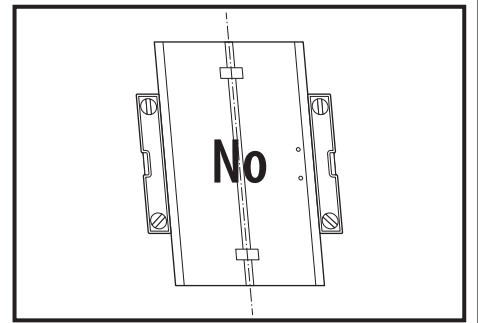
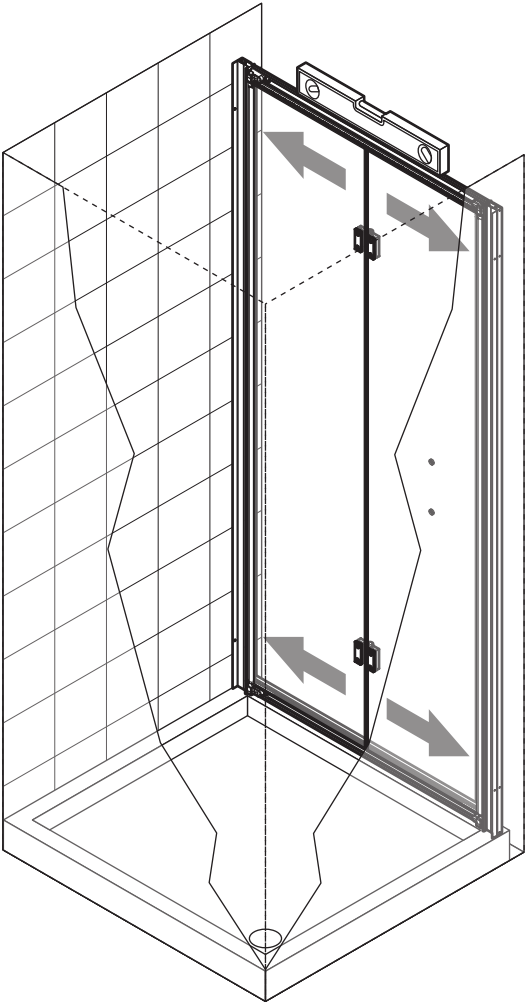


x2

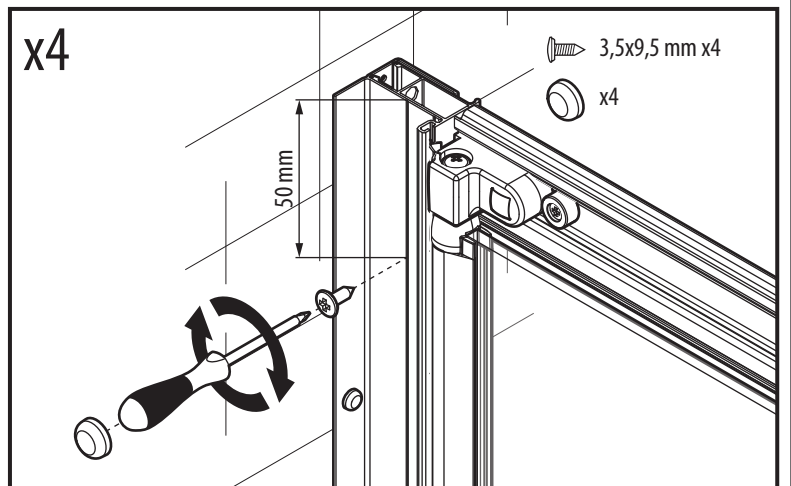
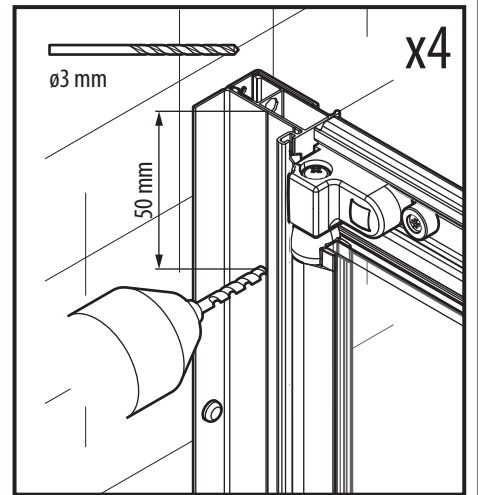
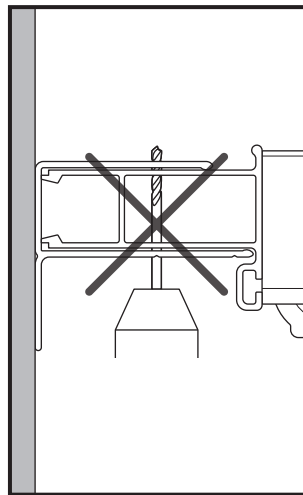
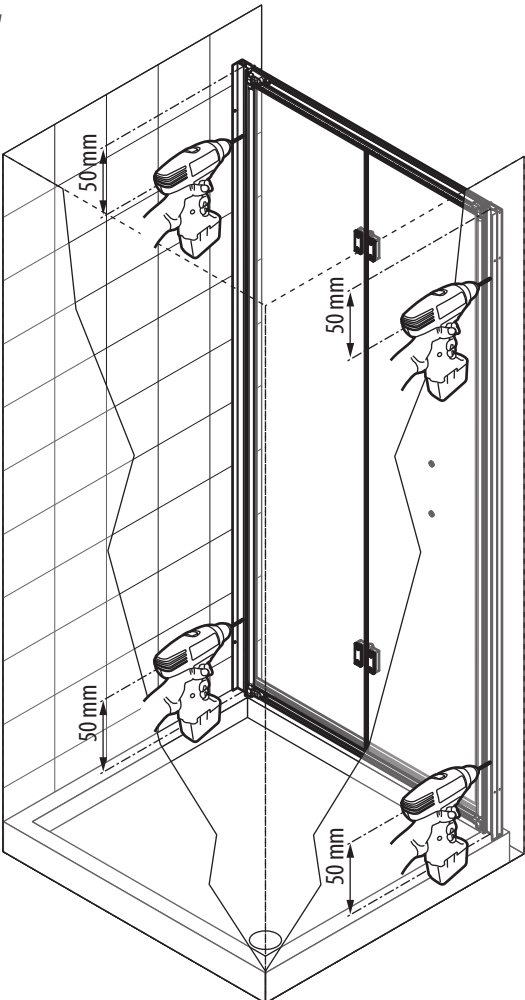
3



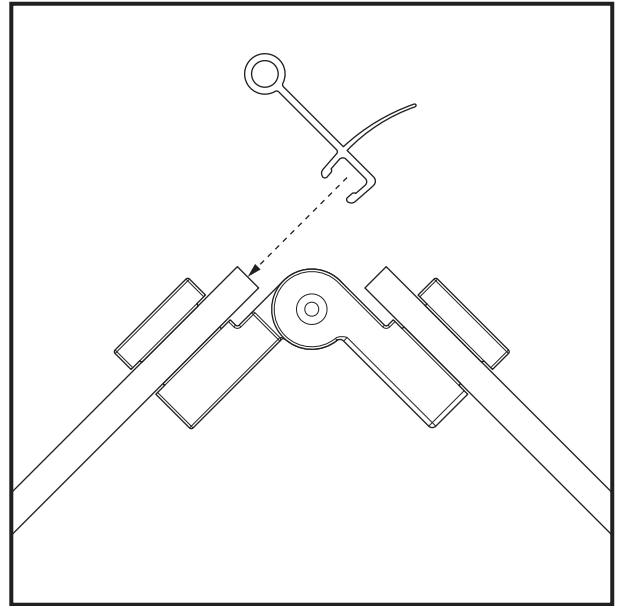
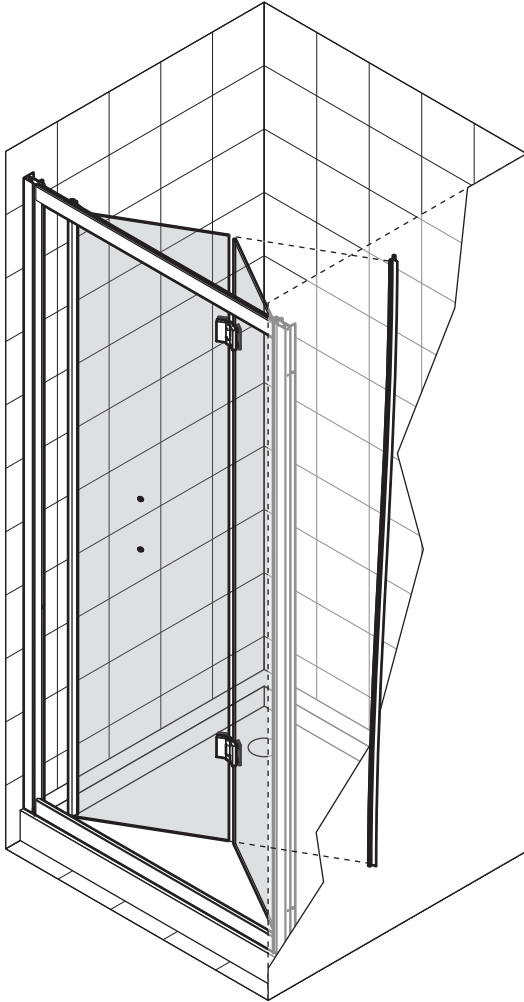
6



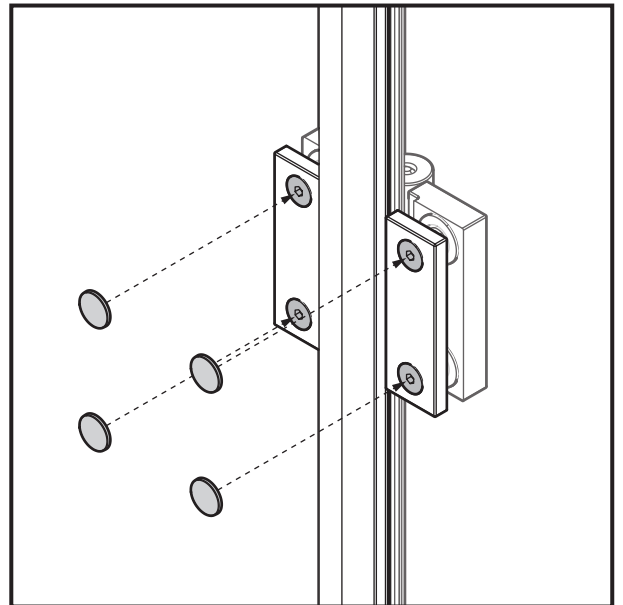
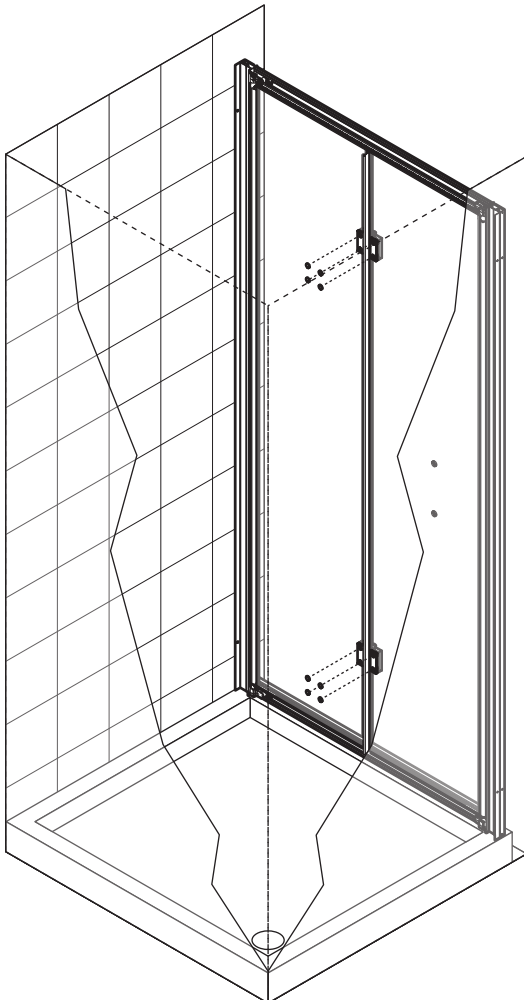
7



8

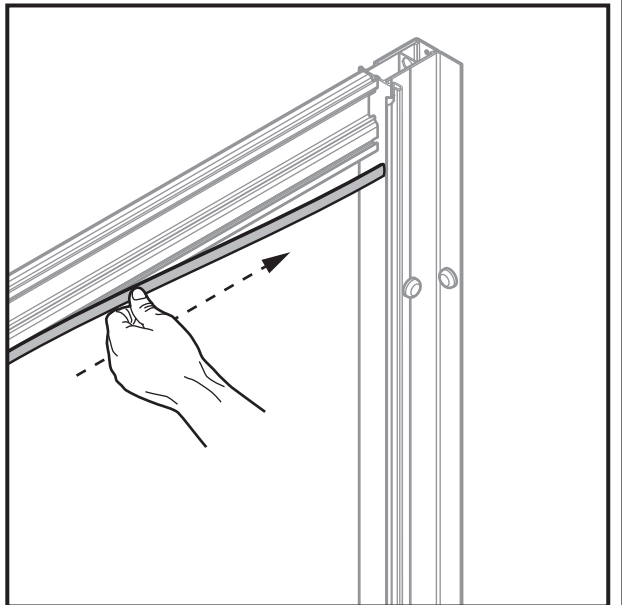
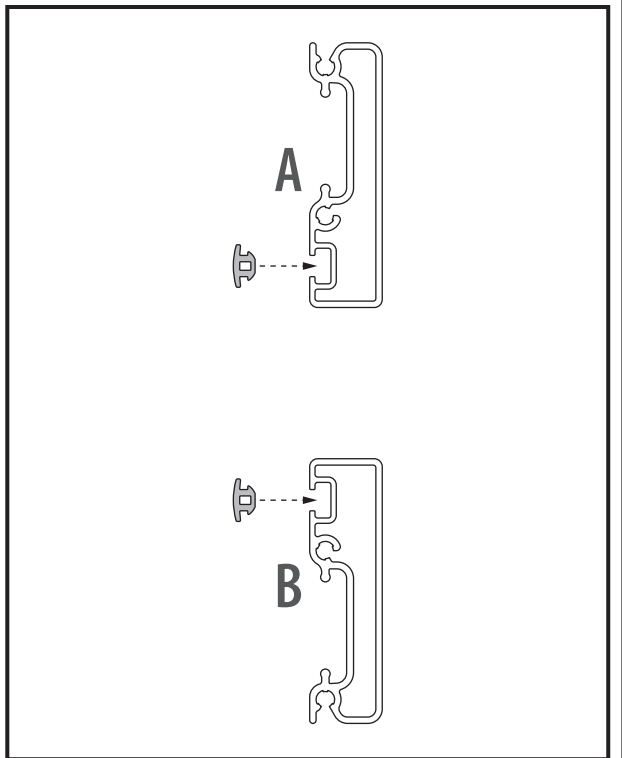
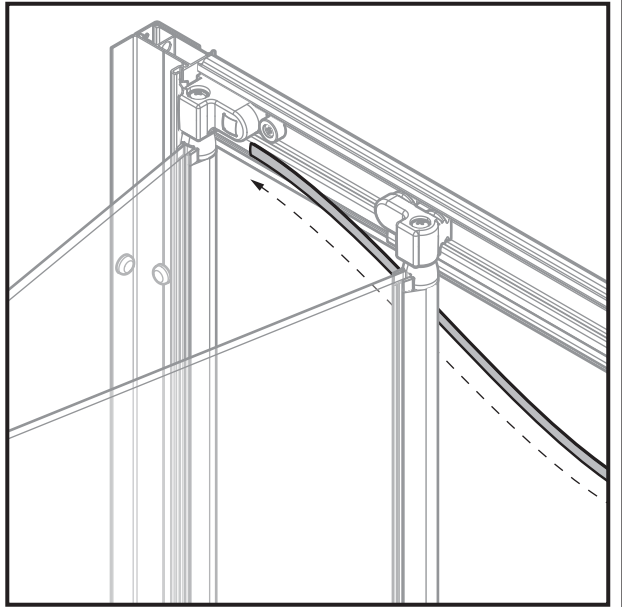
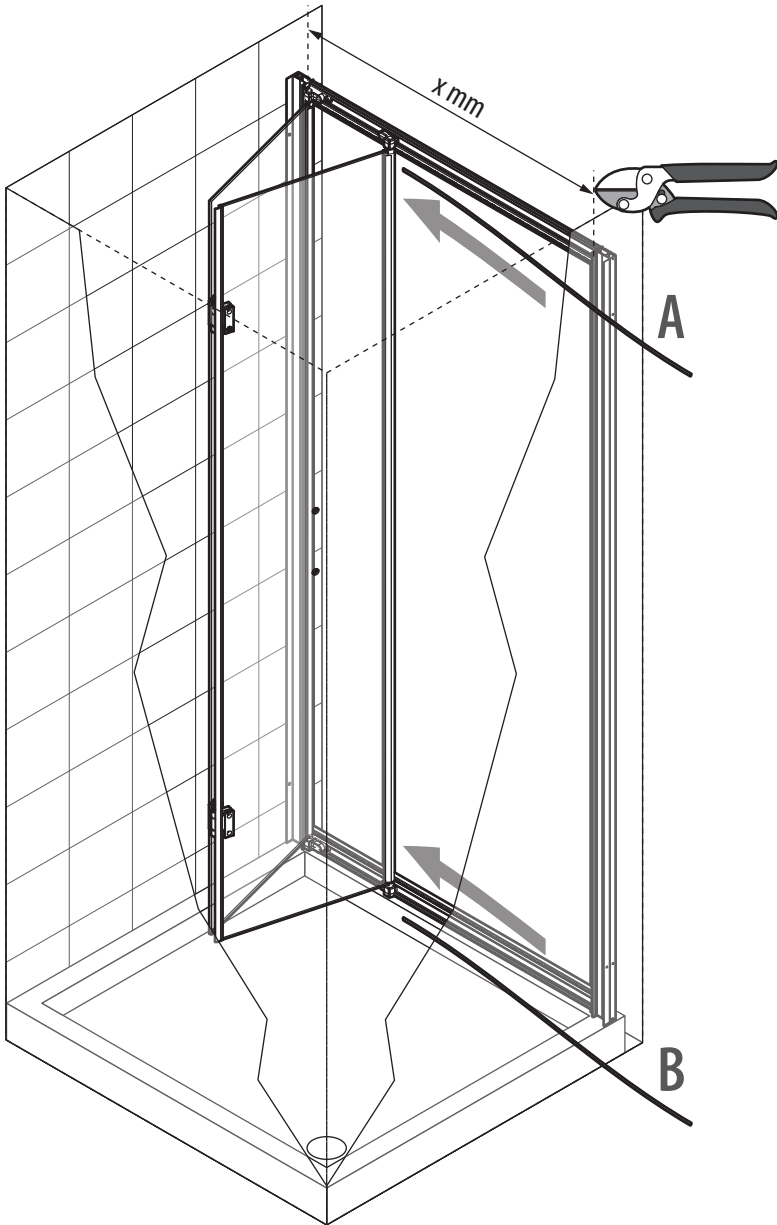


9

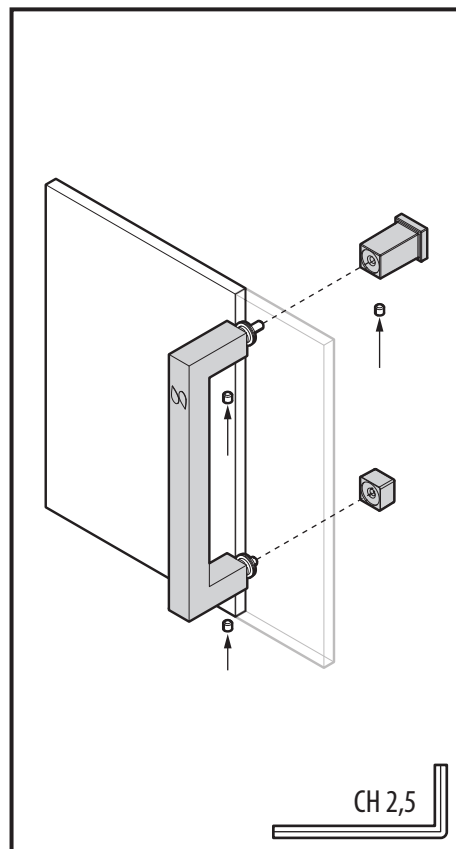
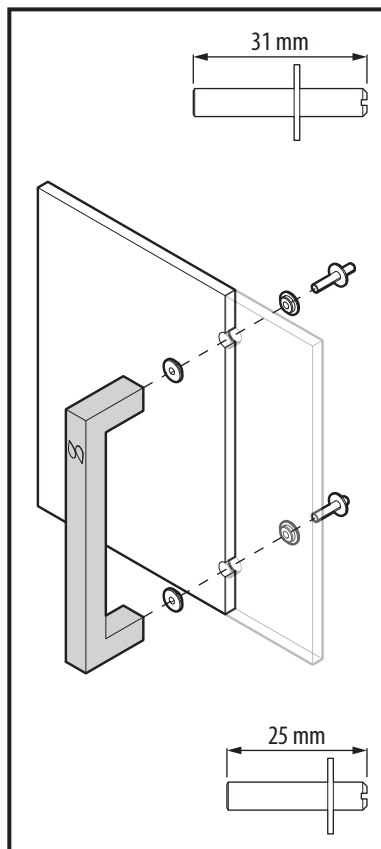
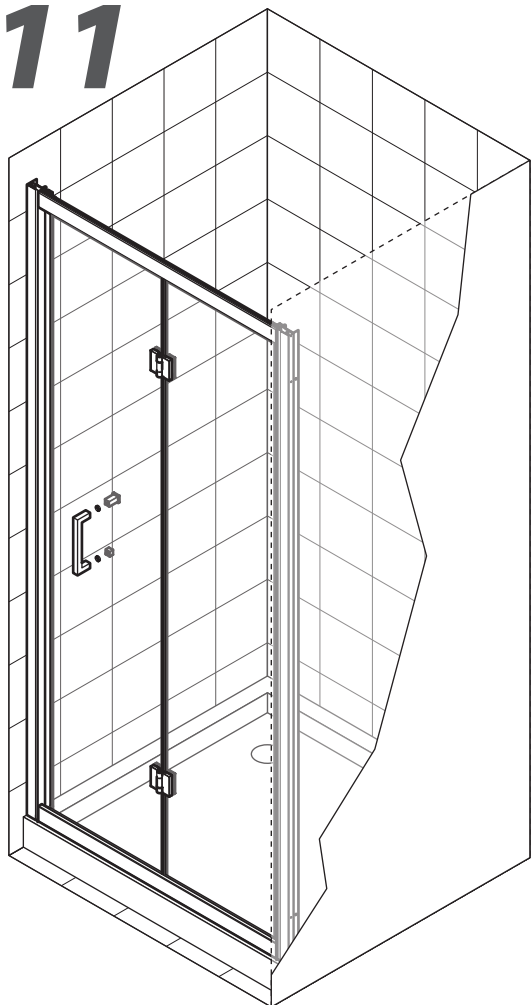




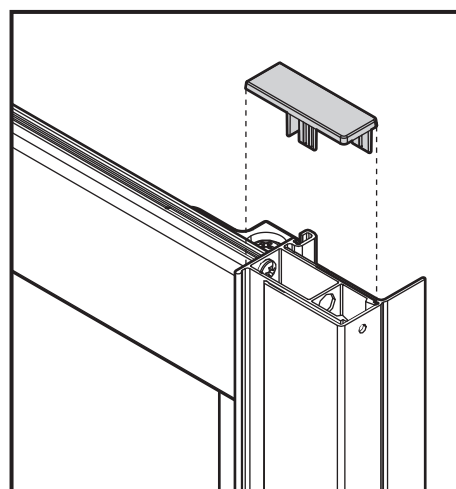
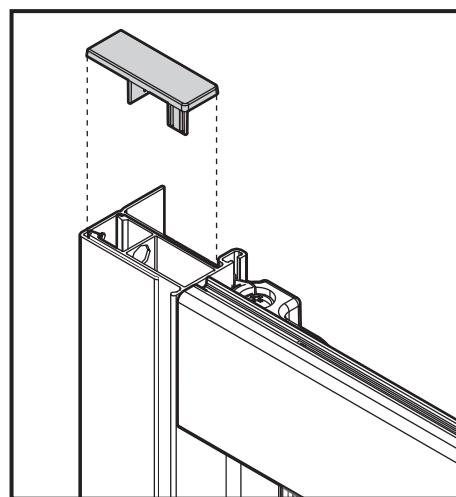
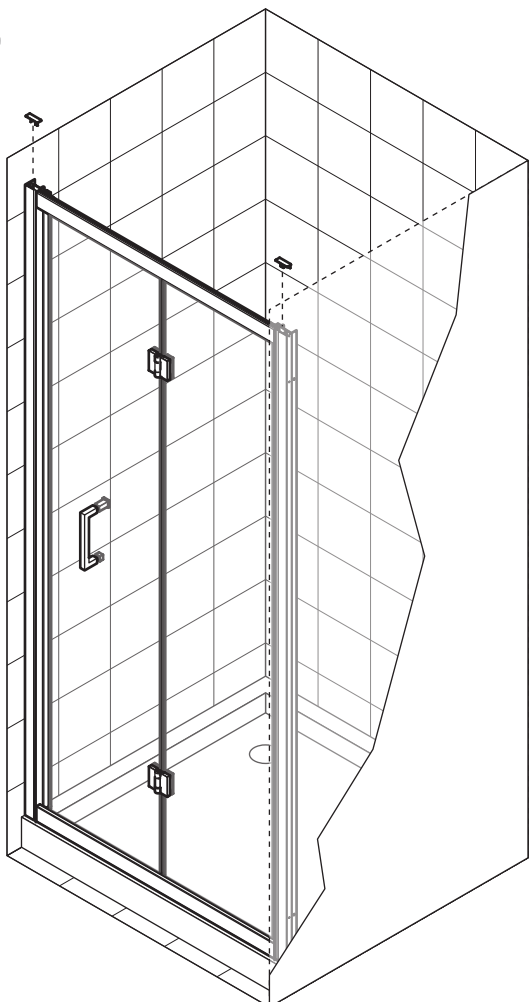
# 10



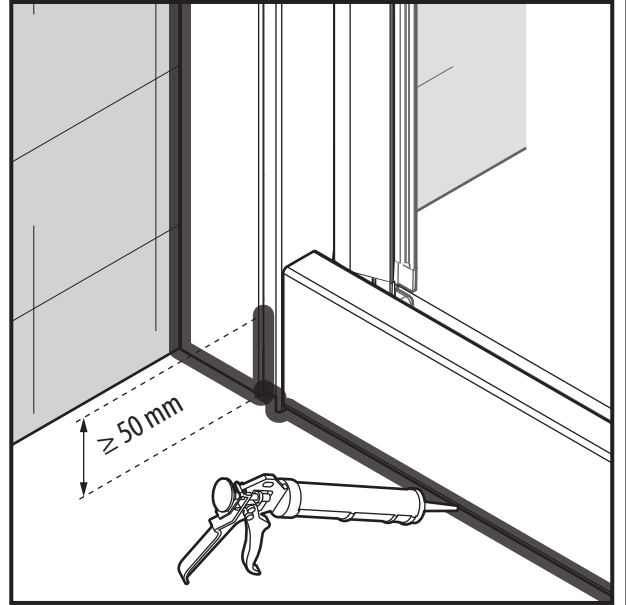
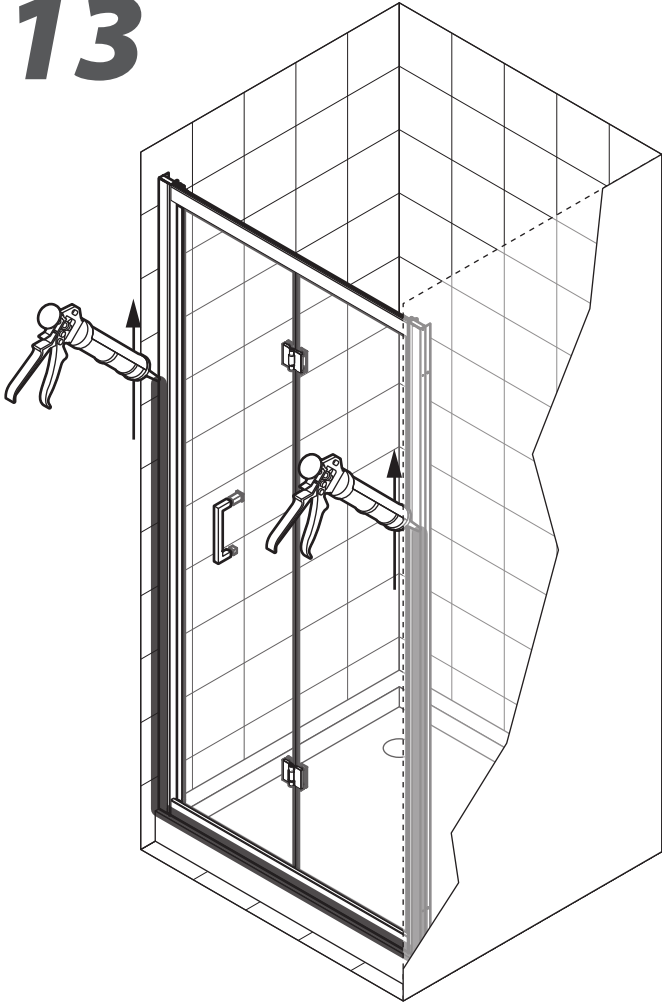
# 11



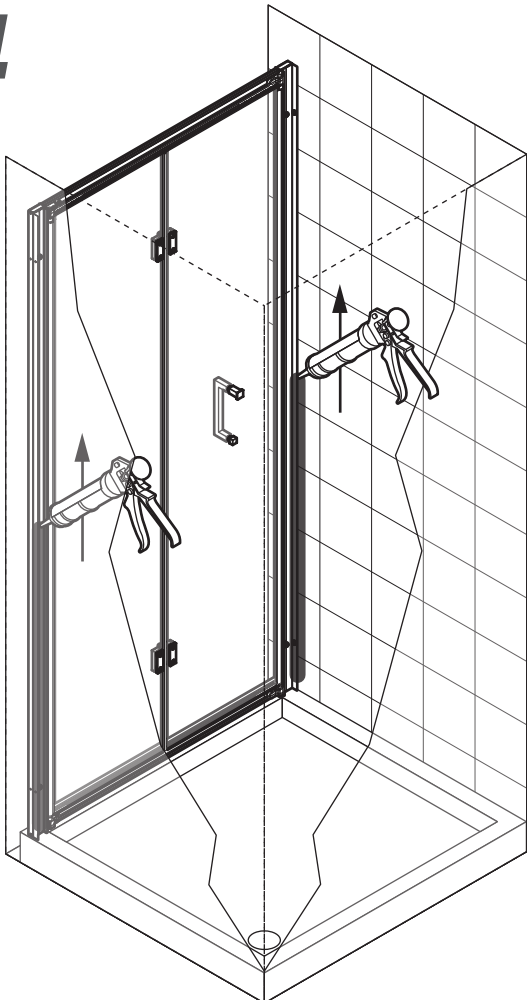
# 12



# 13



# 14



## Optional

