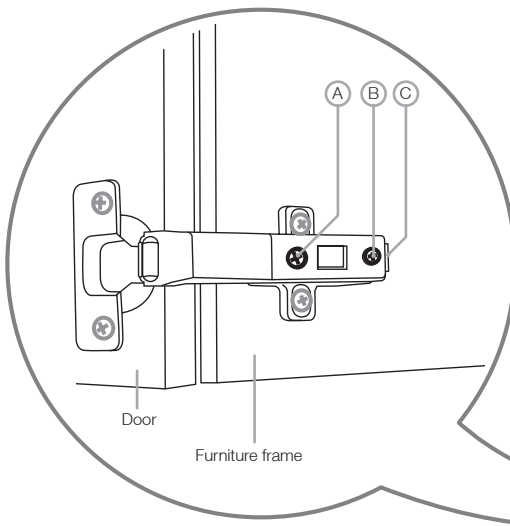
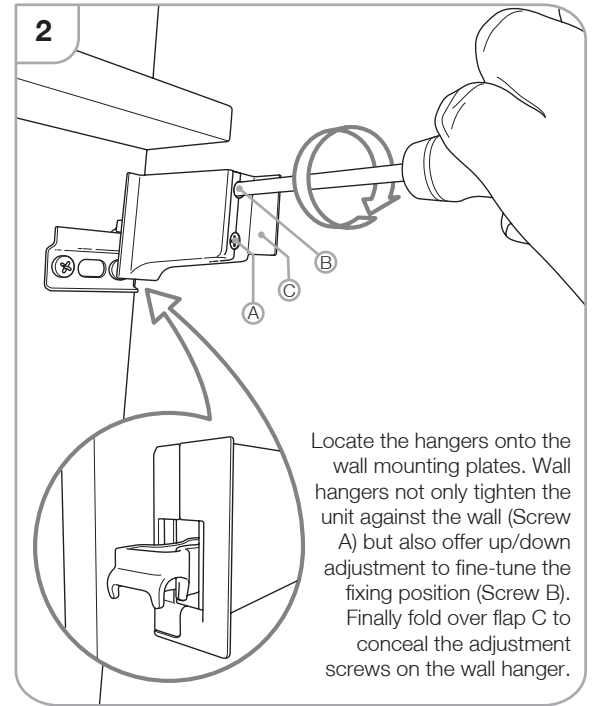
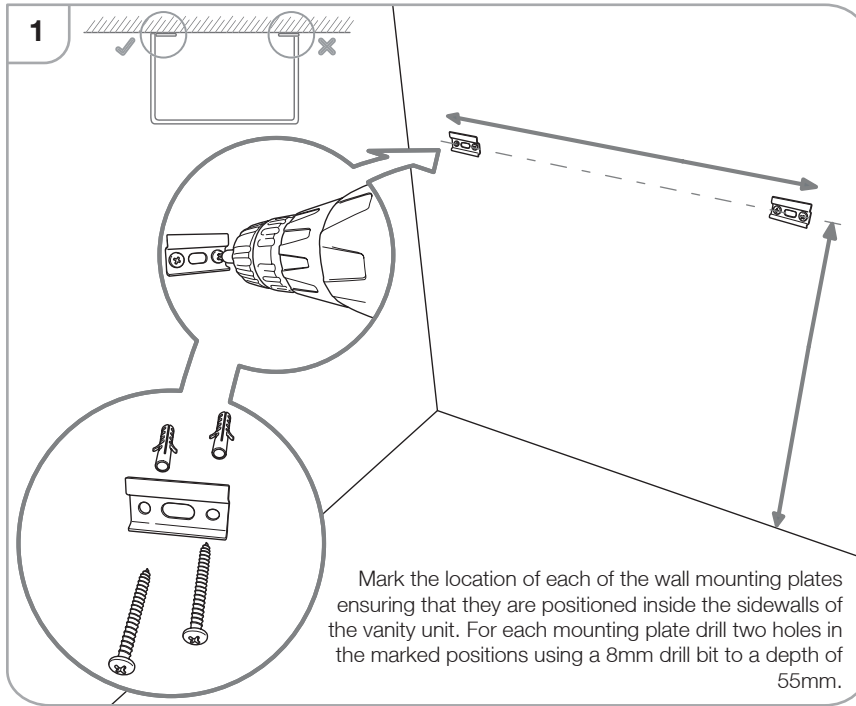


Please retain for future reference

#### Before you start

It is recommended that the unit and basin are secured to a suitably reinforced wall to ensure stability. The wall plugs supplied are only suitable for solid stone / brick walls. For plasterboard walls use specialist wall plugs along with supplementary wall strengthening as units can be very heavy. Seek advice from a specialist about the suitability of fixings to be used.

Wear suitable eye protection when drilling. Take care when using power tools near water - the use of a residual current device (RCD) is recommended. Beware of hidden pipes or cables. Take care when drilling tiled surfaces as the drill might slip. Use a piece of masking tape to prevent the drill from wandering.



#### Fitting the handles

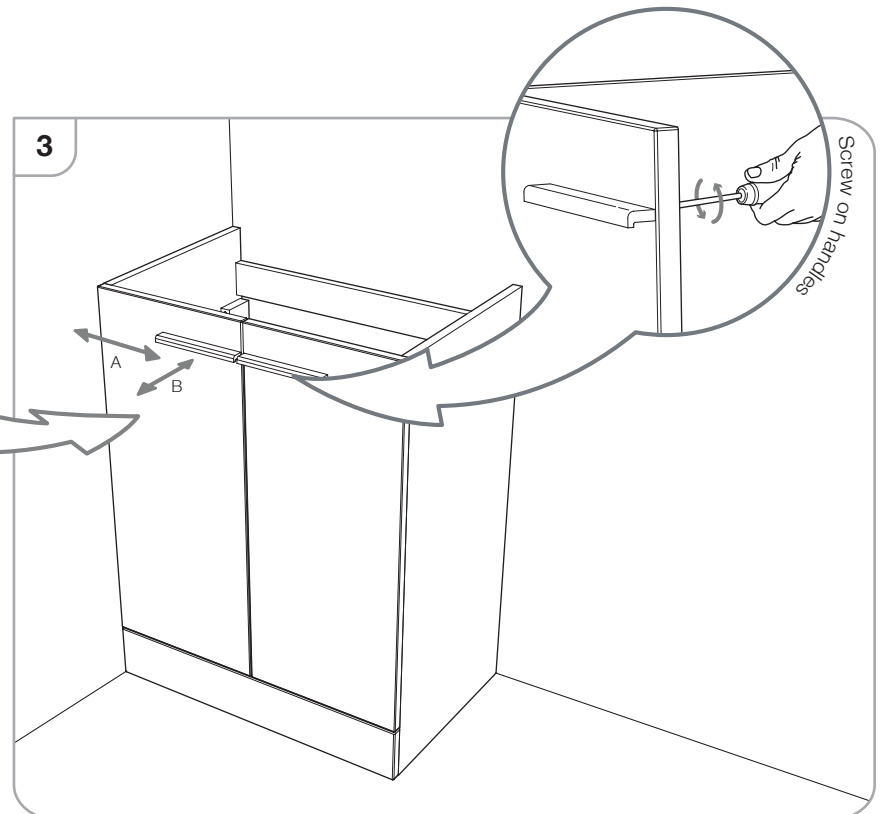
Using the screws packed with the handles, fix the handles through the pre-drilled holes from the back of the doors.

#### Door adjustment

Screw A offers left / right adjustment for levelling up the doors. Screw B offers forward / back adjustment (see Fig. 3). Button C is the quick release, press this on both hinges to remove a door by releasing the hinges from their mounting plates.

#### Fitting ceramic basin

Once the basin has been plumbed in finish by securing to the washstand using a silicone sealant (not supplied).



### All wooden furniture should be treated with care...

#### We recommend



Wipe away any water splashes or condensation after use. Excessive exposure to water will deteriorate the furniture.



All bathrooms should be well ventilated with a suitable extractor fan.



Clean with a soft damp cloth only.



Use a wax free polish if one must be used.

For removal of lime scale deposits use a suitable proprietary cleaner. If necessary test on an inconspicuous area first.

#### Please DO NOT...



Do not scrub or scour



Do not use abrasive cleaning agents

#### Replacement components

Should you require any replacement components for this product please contact Tavistock using the contact details below.